

Base plate, Series ES05

- Base plate 2x for internal electrical control
- for ES05



Working pressure min./max.	0 ... 8 bar
Control pressure min./max.	3 ... 8 bar
Ambient temperature min./max.	5 ... 50 °C
Medium temperature min./max.	5 ... 50 °C
Medium	Compressed air
Max. particle size	40 µm
Oil content of compressed air	0 ... 25 mg/m ³
Tightening torque for mounting screws	0,9 Nm

Technical data

Part No.	Type	Scope of delivery	Type of contact	Delivery unit
R422102671	single solenoid	Base plate 2x, incl. 1 seal	PNP	1 piece
R422P02671	single solenoid	Base plate 2x, incl. 1 seal	PNP	5 piece
R422102621	double solenoid	Base plate 2x, incl. 1 seal	PNP	1 piece
R422P02621	double solenoid	Base plate 2x, incl. 1 seal	PNP	5 piece
R422102853	single solenoid	Base plate 2x, incl. 1 seal	NPN	1 piece
R422102854	double solenoid	Base plate 2x, incl. 1 seal	NPN	1 piece

Part No.	Fig.
R422102671	Fig. 1
R422P02671	Fig. 1
R422102621	Fig. 2
R422P02621	Fig. 2
R422102853	Fig. 1
R422102854	Fig. 2

PNP: GND = 0 V DC, NPN: GND = 24 V DC

Technical information

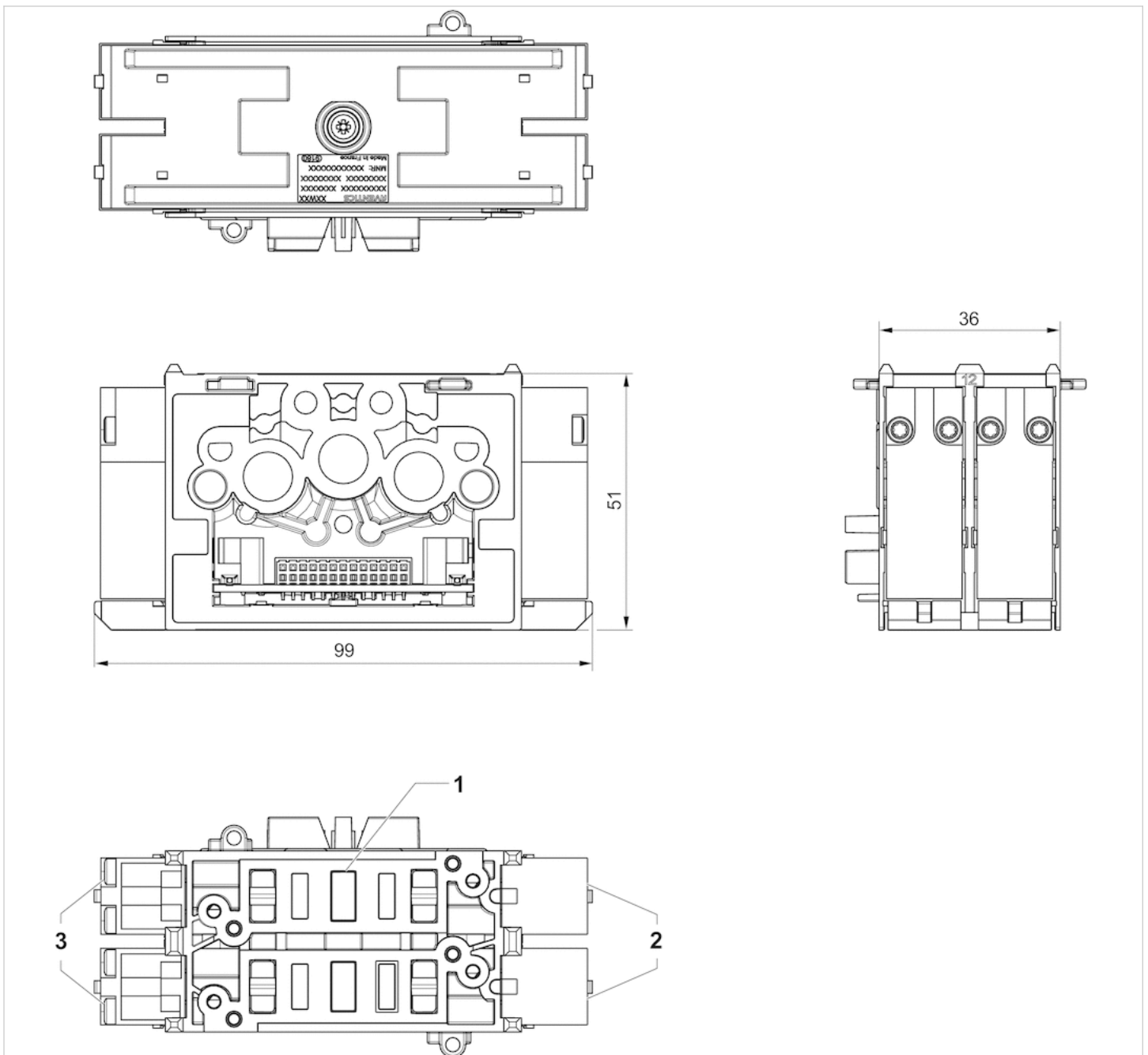
The min. control pressure must be adhered to, since otherwise faulty switching and valve failure may result!
 The pressure dew point must be at least 15 °C under ambient and medium temperature and may not exceed 3 °C .
 The oil content of compressed air must remain constant during the life cycle.
 Use only the approved oils from AVENTICS. Further information can be found in the "Technical information" document (available in the MediaCentre).
 For use in conjunction with end plate kit with D-Sub

Technical information

Material	
Housing	Polyamide fiber-glass reinforced
Seal	Nitrile butadiene rubber

Dimensions

Dimensions, Fig. 1



- 1) Place for 2 valves
 - 2) 2 pilot valves
 - 3) Pilot blanking plate
- Only for single solenoid 5/2 direction valve function

Efficient pneumatic solutions, our program: cylinders and drives, valves and valve systems, air supply management



Visit us: [Emerson.com/Aventics](https://www.emerson.com/Aventics)

Your local contact: [Emerson.com/contactus](https://www.emerson.com/contactus)



[Emerson.com](https://www.emerson.com)



[Facebook.com/EmersonAutomationSolutions](https://www.facebook.com/EmersonAutomationSolutions)



[LinkedIn.com/company/Emerson-Automation-Solutions](https://www.linkedin.com/company/Emerson-Automation-Solutions)



[Twitter.com/EMR_Automation](https://twitter.com/EMR_Automation)

An example configuration is depicted on the title page. The delivered product may thus vary from that in the illustration. Subject to change. This Document, as well as the data, specifications and other information set forth in it, are the exclusive property of AVENTICS GmbH. It may not be reproduced or given to third parties without its consent. Only use the AVENTICS products shown in industrial applications. Read the product documentation completely and carefully before using the product. Observe the applicable regulations and laws of the respective country. When integrating the product into applications, note the system manufacturer's specifications for safe use of the product. The data specified only serve to describe the product. No statements concerning a certain condition or suitability for a certain application can be derived from our information. The information given does not release the user from the obligation of own judgement and verification. It must be remembered that the products are subject to a natural process of wear and aging.

The Emerson logo is a trademark and service mark of Emerson Electric Co. Brand logotype are registered trademarks of one of the Emerson family of companies. All other marks are the property of their respective owners. © 2020 Emerson Electric Co. All rights reserved.
2020-12



CONSIDER IT SOLVED™