

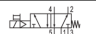



5/2 directional valve function, Series ES05

- 5/2
- $Q_n = 610$ l/min
- Compressed air connection output : $\varnothing 8$
- single solenoid double solenoid
- With spring return



Activation	Electrically
Working pressure min./max.	-0,8 ... 8 bar
Control pressure min./max.	3 ... 8 bar
Ambient temperature min./max.	5 ... 50 °C
Medium temperature min./max.	5 ... 50 °C
Medium	Compressed air
Max. particle size	40 μm
Oil content of compressed air	0 ... 5 mg/m ³
Nominal flow Q_n	610 l/min
mounting screws	Hexalobular socket (TORX) ISO 10664-10
Mounting screw tightening torque	0,9 Nm
Tightening torque tolerance	$\pm 0,1$ mT

Technical data

Part No.		Compressed air connection		Switch-on time
		Input	Output	
R422102601		Base plate	$\varnothing 8$	20
R422P02601		Base plate	$\varnothing 8$	20
R422102636		Base plate	$\varnothing 8$	20
R422P02636		Base plate	$\varnothing 8$	20

Part No.	Switch-off time	Delivery unit
R422102601	35	1 piece
R422P02601	35	5 piece
R422102636	20	1 piece
R422P02636	20	5 piece

Nominal flow Q_n at 6 bar and $\Delta p = 1$ bar

Technical information

The min. control pressure must be adhered to, since otherwise faulty switching and valve failure may result!

The pressure dew point must be at least 15 °C under ambient and medium temperature and may not exceed 3 °C .

The oil content of compressed air must remain constant during the life cycle.

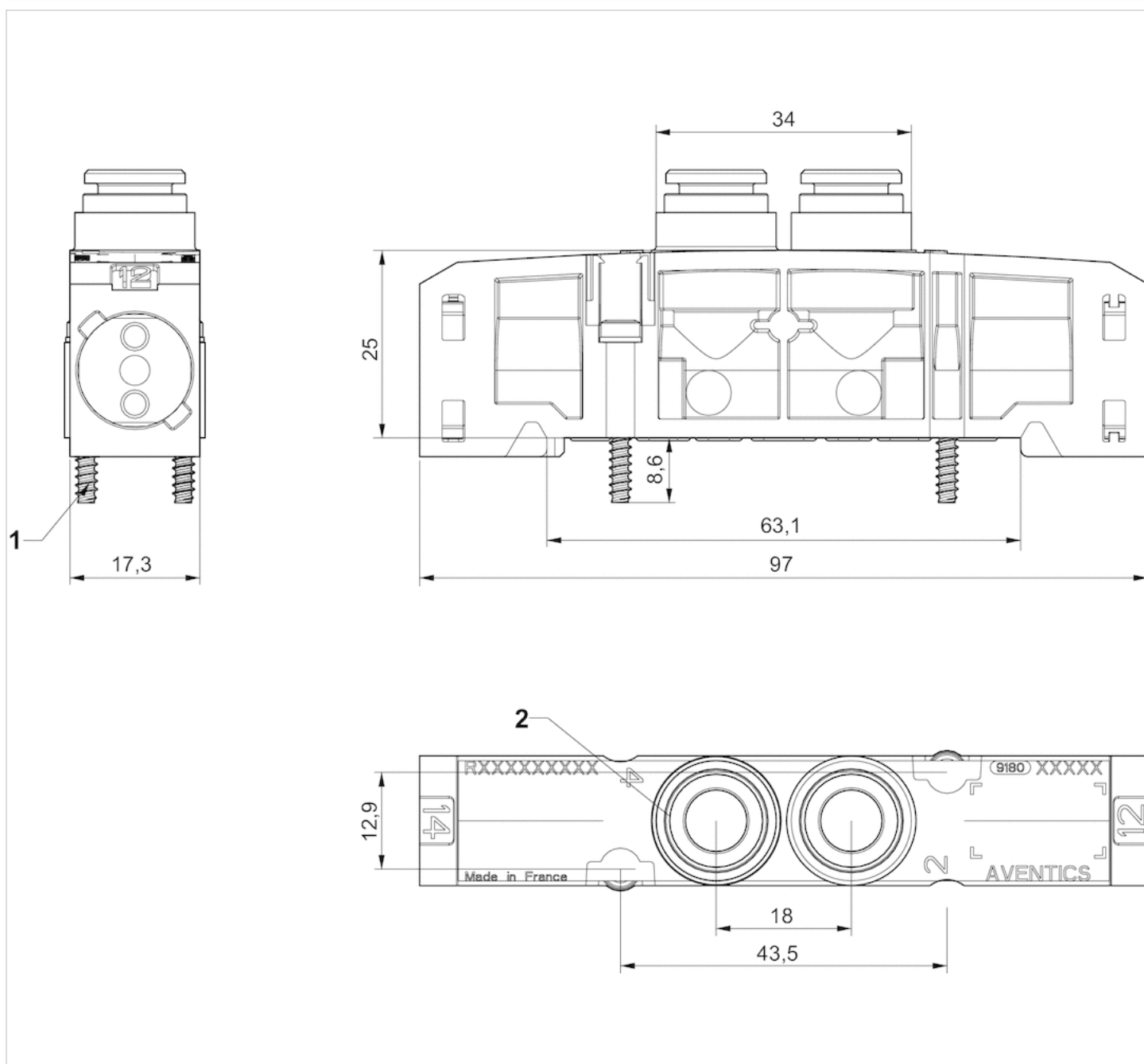
Use only the approved oils from AVENTICS. Further information can be found in the "Technical information" document (available in the MediaCentre).

Technical information

Material	
Housing	Polyamide Polyoxymethylene
Seals	Acrylonitrile butadiene rubber

Dimensions

Dimensions



1) Screws for plastic Ø3

2) Ø 8

Efficient pneumatic solutions, our program: cylinders and drives, valves and valve systems, air supply management



Visit us: [Emerson.com/Aventics](https://www.emerson.com/Aventics)

Your local contact: [Emerson.com/contactus](https://www.emerson.com/contactus)



[Emerson.com](https://www.emerson.com)



[Facebook.com/EmersonAutomationSolutions](https://www.facebook.com/EmersonAutomationSolutions)



[LinkedIn.com/company/Emerson-Automation-Solutions](https://www.linkedin.com/company/Emerson-Automation-Solutions)



[Twitter.com/EMR_Automation](https://twitter.com/EMR_Automation)

An example configuration is depicted on the title page. The delivered product may thus vary from that in the illustration. Subject to change. This Document, as well as the data, specifications and other information set forth in it, are the exclusive property of AVENTICS GmbH. It may not be reproduced or given to third parties without its consent. Only use the AVENTICS products shown in industrial applications. Read the product documentation completely and carefully before using the product. Observe the applicable regulations and laws of the respective country. When integrating the product into applications, note the system manufacturer's specifications for safe use of the product. The data specified only serve to describe the product. No statements concerning a certain condition or suitability for a certain application can be derived from our information. The information given does not release the user from the obligation of own judgement and verification. It must be remembered that the products are subject to a natural process of wear and aging.

The Emerson logo is a trademark and service mark of Emerson Electric Co. Brand logotype are registered trademarks of one of the Emerson family of companies. All other marks are the property of their respective owners. © 2020 Emerson Electric Co. All rights reserved.
2020-12



CONSIDER IT SOLVED™