

# End plate kit for D-Sub

- D-Sub plug, 25-pin, on the side
- for ES05



|                                       |  |
|---------------------------------------|--|
| Type                                  | Multipole                              |
| Working pressure min./max.            | 0 ... 8 bar                            |
| Ambient temperature min./max.         | 5 ... 50 °C                            |
| Medium temperature min./max.          | 5 ... 50 °C                            |
| electr. connection                    | D-Sub plug, 25-pin, on the side        |
| Protection class                      | IP50                                   |
| Mounting screw                        | Hexalobular socket (TORX) ISO 10664-10 |
| Tightening torque for mounting screws | 0,9 Nm                                 |

## Technical data

| Part No.   | Type   | Compressed air connection<br>Input<br>[1] | Compressed air connection<br>Exhaust<br>[3 / 5] |
|------------|--------|---|---|
| R422003346 | type A | G 3/8                                     | G 3/8   |
| R422P03346 | type A | G 3/8                                     | G 3/8   |
| R422003355 | type B | G 3/8                                     | G 3/8   |
| R422P03355 | type B | G 3/8                                     | G 3/8   |

| Part No.   | Pilot control exhaust | Pilot connection | Delivery unit |
|------------|-----------------------|------------------|---------------|
| R422003346 | G 1/8                 | G 1/8            | 1 piece       |
| R422P03346 | G 1/8                 | G 1/8            | 5 piece       |
| R422003355 | G 1/8                 | G 1/8            | 1 piece       |
| R422P03355 | G 1/8                 | G 1/8            | 5 piece       |

Scope of delivery: 1 left end plate, 1 right end plate, 2 initial tie rods, 4 tie rod screws, 1 seal, and 2 blanking plugs G1/8

## Technical information

The min. control pressure must be adhered to, since otherwise faulty switching and valve failure may result!

The pressure dew point must be at least 15 °C under ambient and medium temperature and may not exceed 3 °C .

The oil content of compressed air must remain constant during the life cycle.

Use only the approved oils from AVENTICS. Further information can be found in the "Technical information" document (available in the MediaCentre).

Only use fittings with cylindrical threads (BSPP).

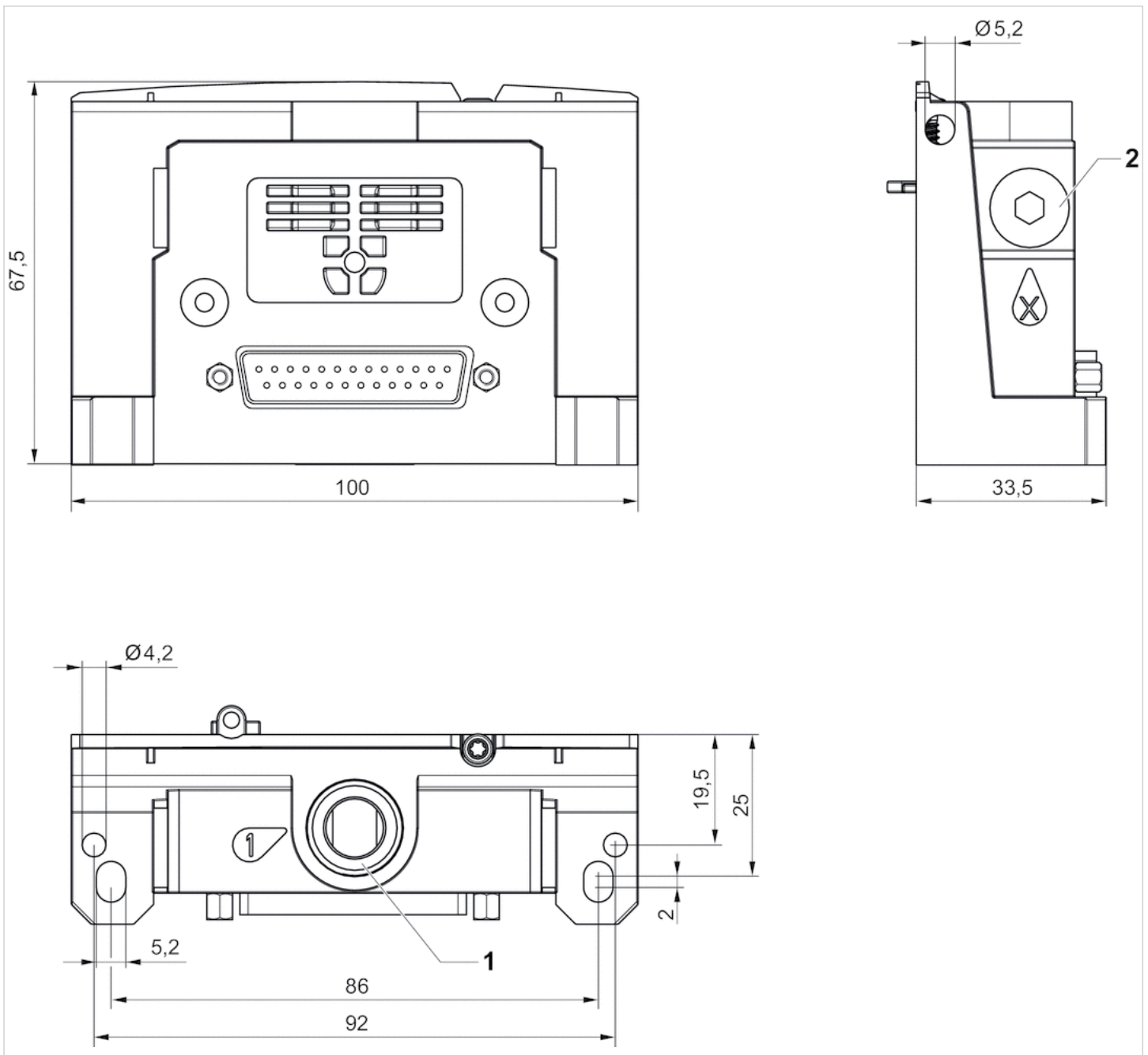
## Technical information

### Material

|         |                            |
|---------|----------------------------|
| Housing | Polyamide Polyoxymethylene |
| Screws  | Stainless steel            |

## Dimensions

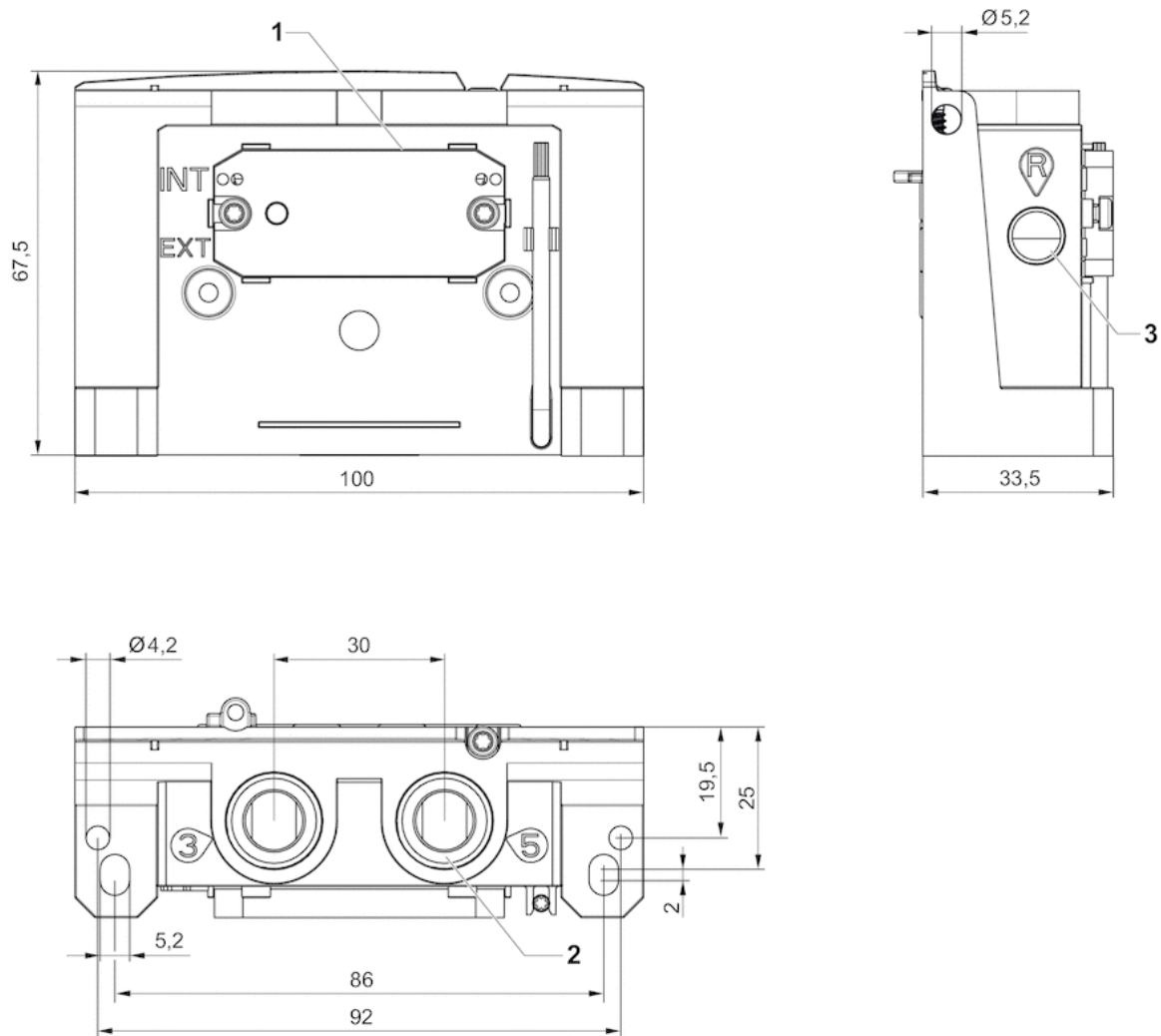
### Dimensions, Left end plate, Port 1, X



1) Port 1 G 3/8"

2) 2 connections X G 1/8"

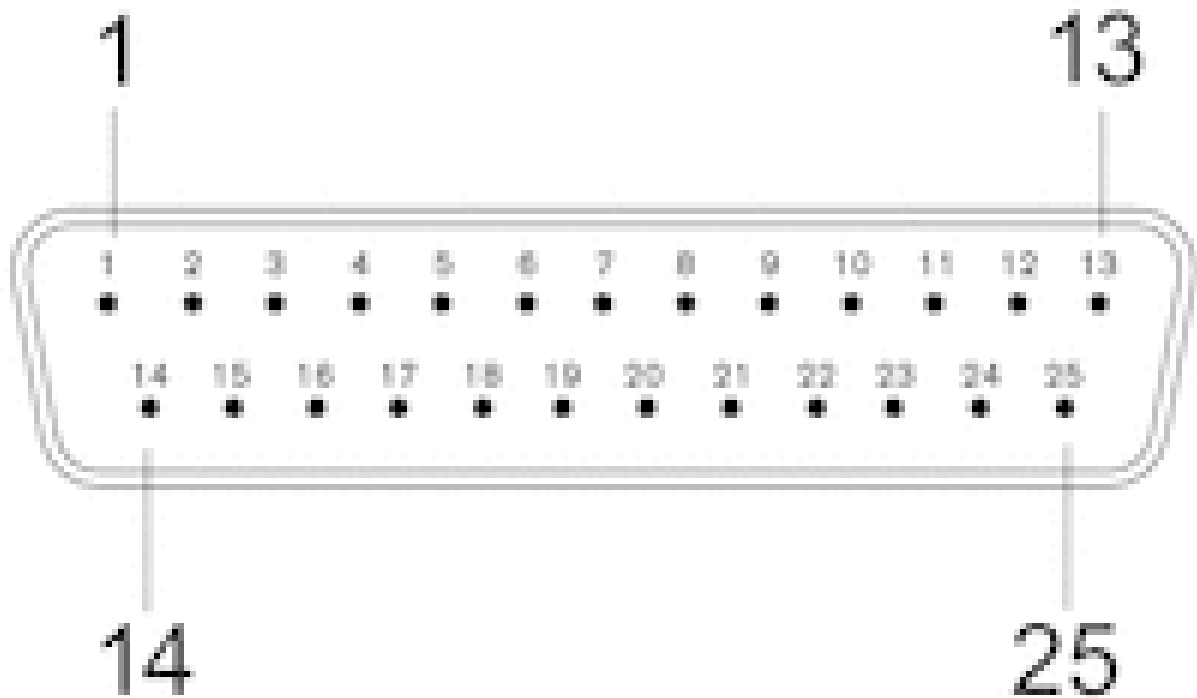
## Dimensions, Right end plate, Port 3, 5, R



- 1) Plate for internal or external pilot
- 2) Port 3, 5 G 3/8"
- 3) 2 connections R G1/8"

## Pin assignments

PIN assignment and cable colors, cable identification as per DIN 47100



### Plug

| Valve position | 1       | 2       | 3       | 4       | 5       | 6       | 7       | 8       | 9       |
|----------------|---------|---------|---------|---------|---------|---------|---------|---------|---------|
| Pin            | 1 / 2   | 3 / 4   | 5 / 6   | 7 / 8   | 9 / 10  | 11 / 12 | 13 / 14 | 15 / 16 | 17 / 18 |
| Coil           | 14 / 12 | 14 / 12 | 14 / 12 | 14 / 12 | 14 / 12 | 14 / 12 | 14 / 12 | 14 / 12 | 14 / 12 |
| 10             | 11      |         | 12      |         |         |         |         |         |         |
| 19 / 20        | 21 / 22 |         | 23 / 24 |         |         | 25      |         |         |         |
| 14 / 12        | 14 / 12 |         | 14 / 12 |         |         | 0 V DC  |         |         |         |

| Valve position | 1       | 2       | 3       | 4       | 5       | 6       | 7       | 8       | 9       |
|----------------|---------|---------|---------|---------|---------|---------|---------|---------|---------|
| Pin            | 1 / 14  | 2 / 15  | 3 / 16  | 4 / 17  | 5 / 18  | 6 / 19  | 7 / 20  | 8 / 21  | 9 / 22  |
| Coil           | 14 / 12 | 14 / 12 | 14 / 12 | 14 / 12 | 14 / 12 | 14 / 12 | 14 / 12 | 14 / 12 | 14 / 12 |
| 10             | 11      |         | 12      |         |         |         |         |         |         |
| 10 / 23        | 11 / 24 |         | 12 / 25 |         |         | 13      |         |         |         |
| 14 / 12        | 14 / 12 |         | 14 / 12 |         |         | 0 V DC  |         |         |         |

# Efficient pneumatic solutions, our program: cylinders and drives, valves and valve systems, air supply management



Visit us: [Emerson.com/Aventics](https://www.emerson.com/Aventics)

Your local contact: [Emerson.com/contactus](https://www.emerson.com/contactus)



[Emerson.com](https://www.emerson.com)



[Facebook.com/EmersonAutomationSolutions](https://www.facebook.com/EmersonAutomationSolutions)



[LinkedIn.com/company/Emerson-Automation-Solutions](https://www.linkedin.com/company/Emerson-Automation-Solutions)



[Twitter.com/EMR\\_Automation](https://twitter.com/EMR_Automation)

An example configuration is depicted on the title page. The delivered product may thus vary from that in the illustration. Subject to change. This Document, as well as the data, specifications and other information set forth in it, are the exclusive property of AVENTICS GmbH. It may not be reproduced or given to third parties without its consent. Only use the AVENTICS products shown in industrial applications. Read the product documentation completely and carefully before using the product. Observe the applicable regulations and laws of the respective country. When integrating the product into applications, note the system manufacturer's specifications for safe use of the product. The data specified only serve to describe the product. No statements concerning a certain condition or suitability for a certain application can be derived from our information. The information given does not release the user from the obligation of own judgement and verification. It must be remembered that the products are subject to a natural process of wear and aging.

The Emerson logo is a trademark and service mark of Emerson Electric Co. Brand logotype are registered trademarks of one of the Emerson family of companies. All other marks are the property of their respective owners. © 2020 Emerson Electric Co. All rights reserved.  
2020-12



## CONSIDER IT SOLVED™