

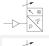
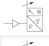




Pressure sensor, Series PE5

- Operating pressure -1 ... 0 -1 ... 1 0 ... 6 0 ... 10 0 ... 12 bar
- electronic
- Output signal analog 0 - 10 V DC, 4 - 20 mA
- Output signal digital 2 x PNP, NPN, Push-pull PNP, NPN, Push-pull PNP, NPN, push-pull, 1x IO-Link
- Electr. connection Plug M12x1 4-pin
- Compressed air connection Internal thread G 1/4



Type	electronic
Certificates	CE declaration of conformity, cULus, RoHS, Conforms with REACH, Free of substances that impair surface wetting in the coating process
Compressed air connection	Internal thread G 1/4
Ambient temperature min./max.	0 ... 60 °C
Medium temperature min./max.	0 ... 60 °C
Medium	Compressed air (max. 40 µm)
Max. oil content of compressed air	40 mg/m ³
Measurement	Relative pressure
Display	LCD display, 4 digits, Color setting: green or red
Units displayed	bar psi kPa MPa inHg
Switching logic	NO/NC (adjustable)
Shock resistance max.	30 g
Vibration resistance	5 g (10 - 150 Hz)
Precision (% of full scale value)	±1.5% in temperature range of 10 - 30°C ± 2 % including temperature drift
Repeatability (% of full scale value)	± 0,2 %
Switching time	5 ms
Switching point	adjustable 0 ... 100%
Resetting point	adjustable 0 ... 100%
Hysteresis	adjustable
Delayed hysteresis	adjustable
Window function	adjustable
DC operating voltage min./max.	17 ... 30 V DC
Analog output	0 - 10 V DC, 4 - 20 mA
Quiescent current consumption	40 mA
Analog output linearity	± 0.5% of the final value
Maximum load (analog current output)	600 Ω
Short circuit resistance	Max. 600 ohms (current output) Min. 3K ohms (voltage output)
Mounting types	Directly on hat rail and wall mounting For panel installation using mounting kit via double nipple
Protection class	IP65 IP67 with connections assembled
Electr. connection	Plug M12x1 4-pin
Weight	0,04 kg

Technical data

Part No.		Operating pressure range	Protection against overpressure
		min./max.	
R412010761		-1 ... 0 bar	5 bar
R412010769		-1 ... 0 bar	5 bar
R412010775		-1 ... 0 bar	5 bar
R412010763		-1 ... 1 bar	5 bar
R412010771		0 ... 6 bar	15 bar
R412010765		0 ... 6 bar	15 bar
R412010777		0 ... 6 bar	15 bar
R412010773		0 ... 10 bar	15 bar
R412010767		0 ... 10 bar	15 bar
R412010779		0 ... 10 bar	15 bar
R412010782		0 ... 12 bar	16 bar
R412010806		0 ... 12 bar	16 bar

Part No.	Output signal	Output signal	Fig.	
	Analog	digital		
R412010761	-	2 x PNP, NPN, Push-pull	Fig. 1	-
R412010769	0 - 10 V DC-4 ... 20 mA	PNP, NPN, Push-pull	Fig. 1	-
R412010775	-	PNP, NPN, push-pull, 1x IO-Link	Fig. 1	1)
R412010763	-	2 x PNP, NPN, Push-pull	Fig. 1	-
R412010771	0 - 10 V DC-4 ... 20 mA	PNP, NPN, Push-pull	Fig. 1	-
R412010765	-	2 x PNP, NPN, Push-pull	Fig. 1	-
R412010777	-	PNP, NPN, push-pull, 1x IO-Link	Fig. 1	1)
R412010773	0 - 10 V DC-4 ... 20 mA	PNP, NPN, Push-pull	Fig. 1	-
R412010767	-	2 x PNP, NPN, Push-pull	Fig. 1	-
R412010779	-	PNP, NPN, push-pull, 1x IO-Link	Fig. 1	1)
R412010782	-	2 x PNP, NPN, Push-pull	Fig. 1	-
R412010806	-	PNP, NPN, push-pull, 1x IO-Link	Fig. 1	1)

1) The IO-Link device description (IODD) for the PE5 pressure sensor is available for download in the Media Centre.

Technical information

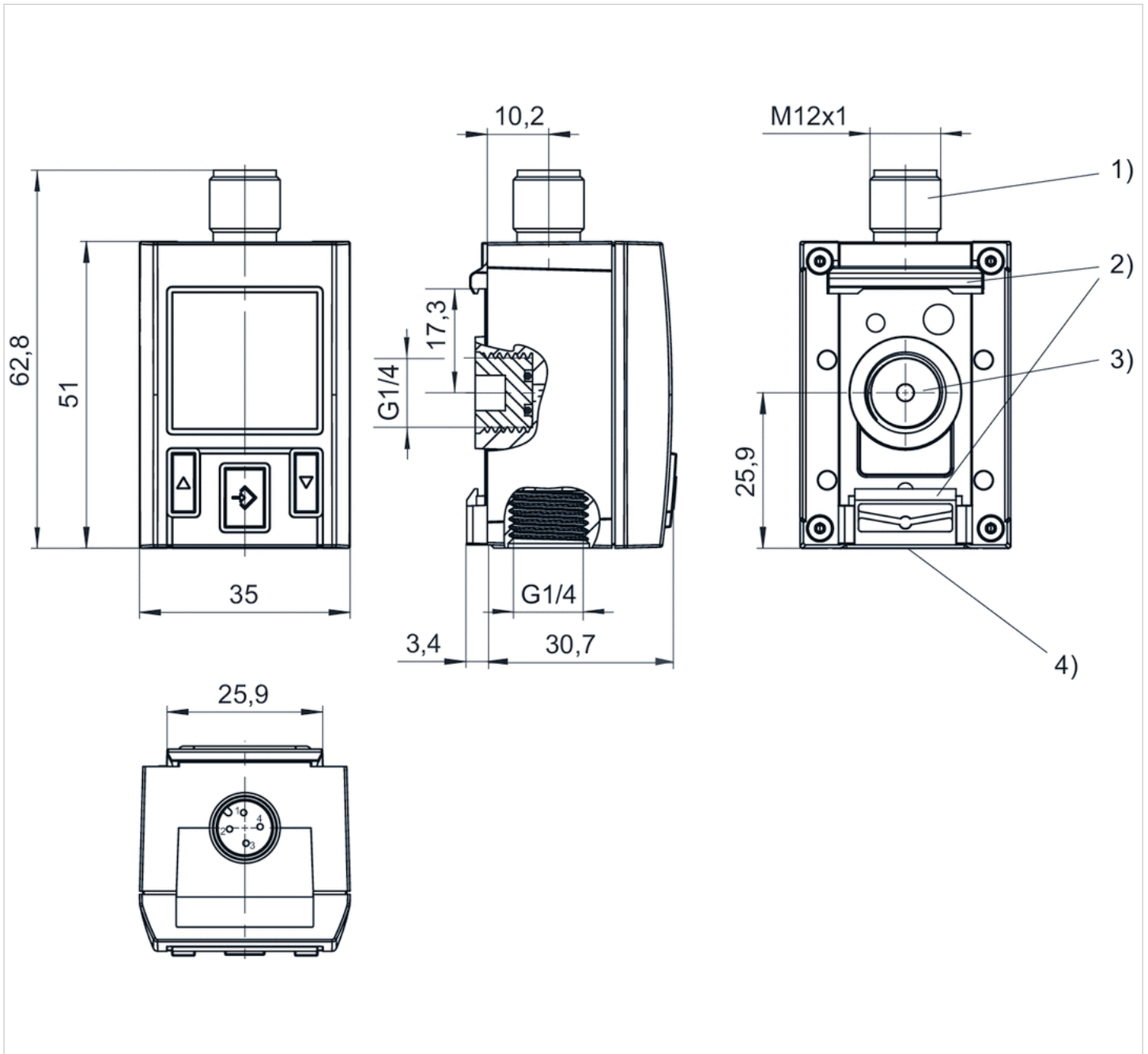
Alternative pressure connection (G1/4) on the rear side (closed with plug)
Display color selectable, red or green

Technical information

Material	
Housing	Polycarbonate
Seals	Acrylonitrile butadiene rubber
Blanking plug	Polyoxymethylene
Electr. connection	Aluminum, black anodized

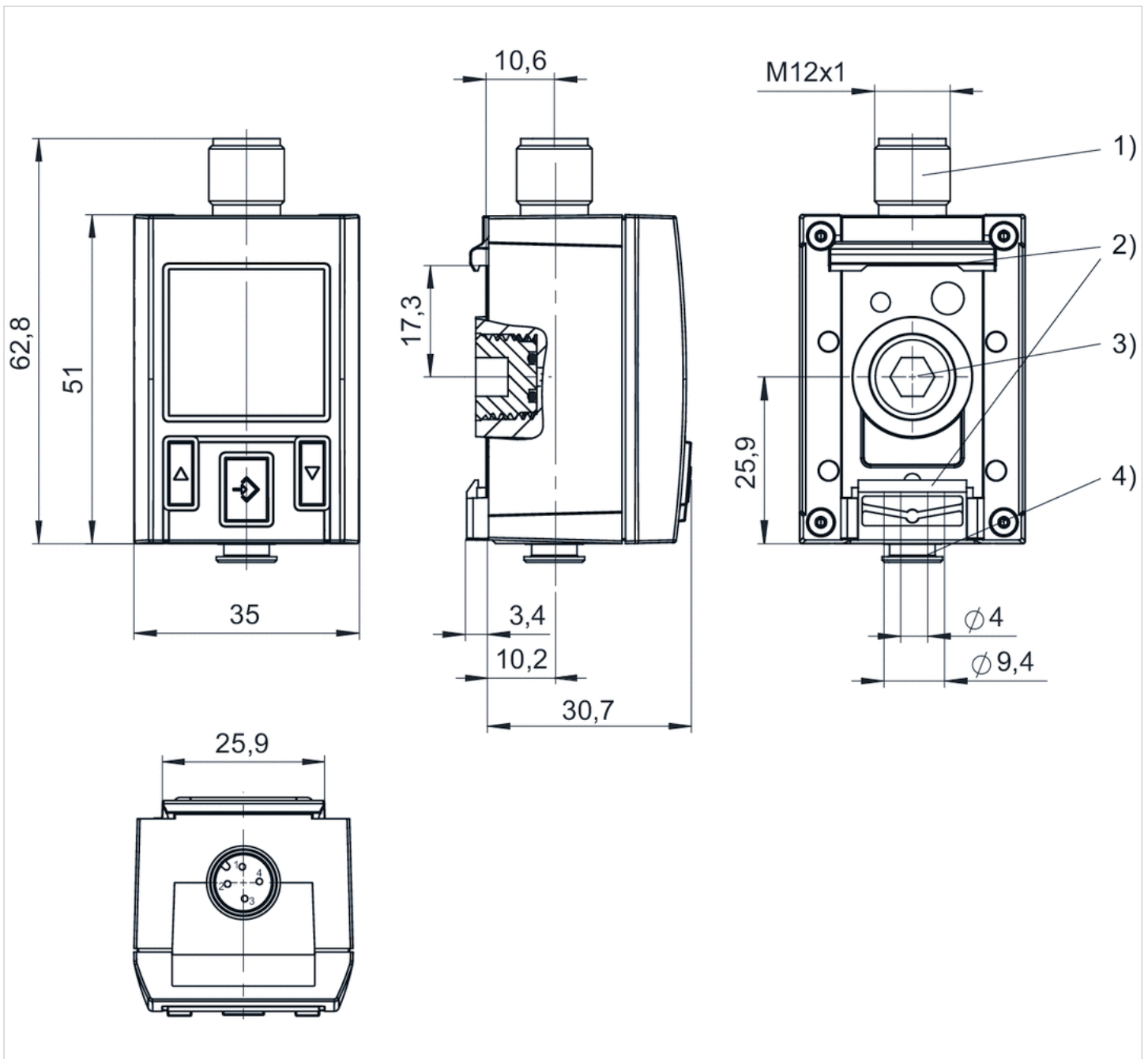
Dimensions

Fig. 1



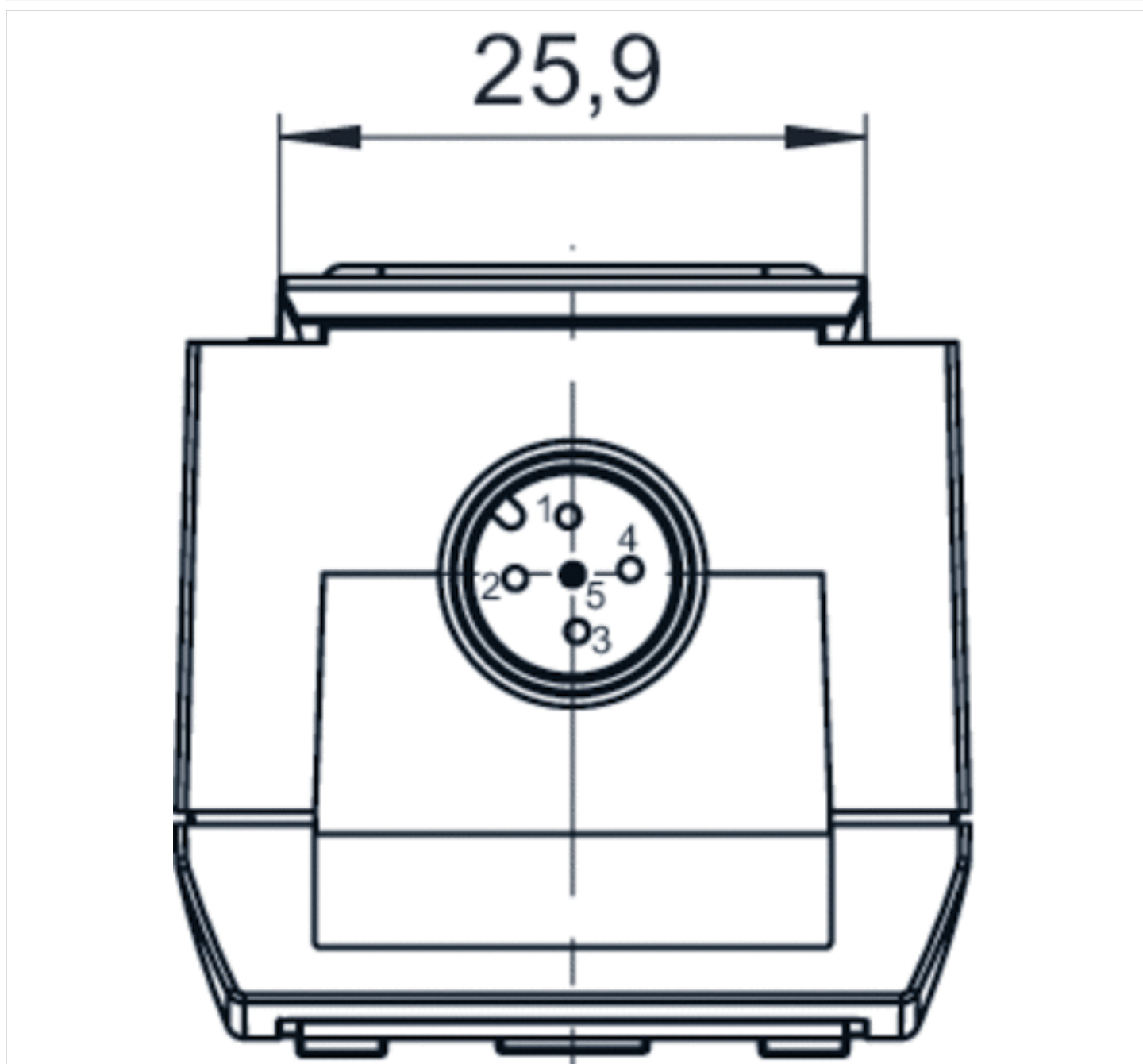
- 1) M12x1 electrical connection
- 2) Mounting for hat rail and wall mounting
- 3) Alternative pressure connection (G1/4) closed with plug
- 4) Pressure connection G1/4

Fig. 2

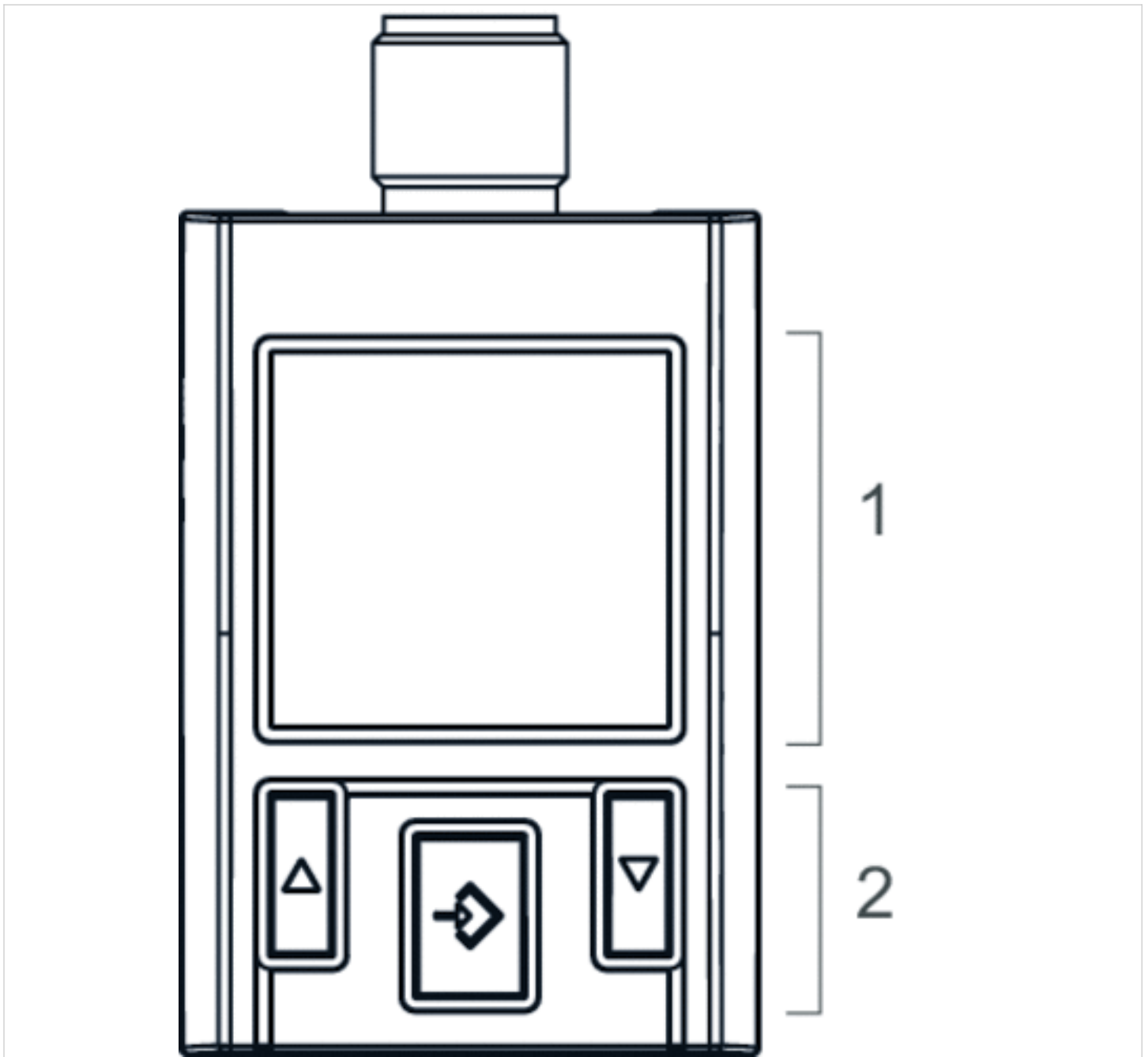


- 1) M12x1 electrical connection
- 2) Mounting for hat rail and wall mounting
- 3) Alternative pressure connection (G1/4) closed with plug
- 4) Pressure connection, tubing ϕ 4 mm

Fig. 3, Electr. connection for leak test



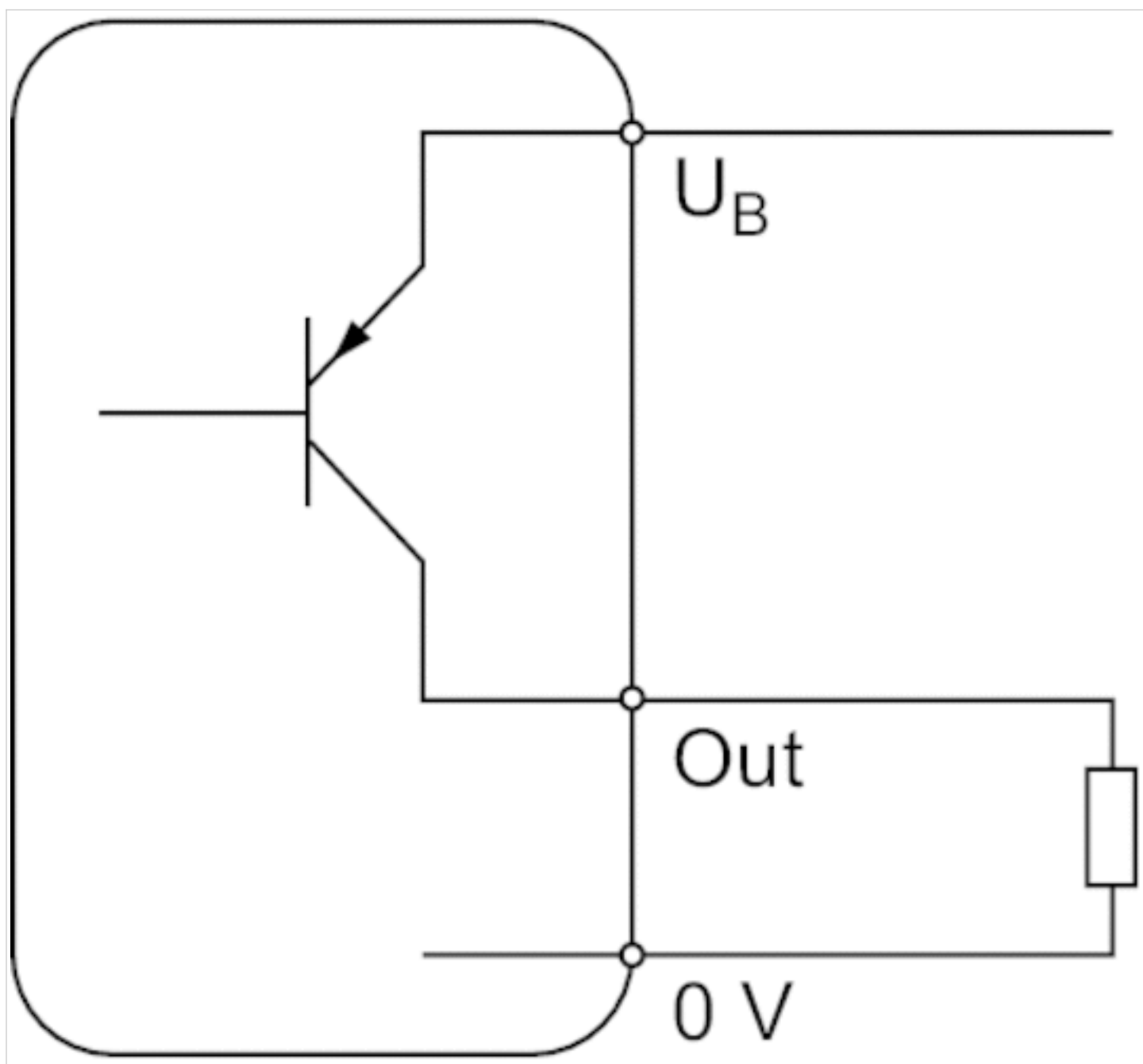
Display and operation area



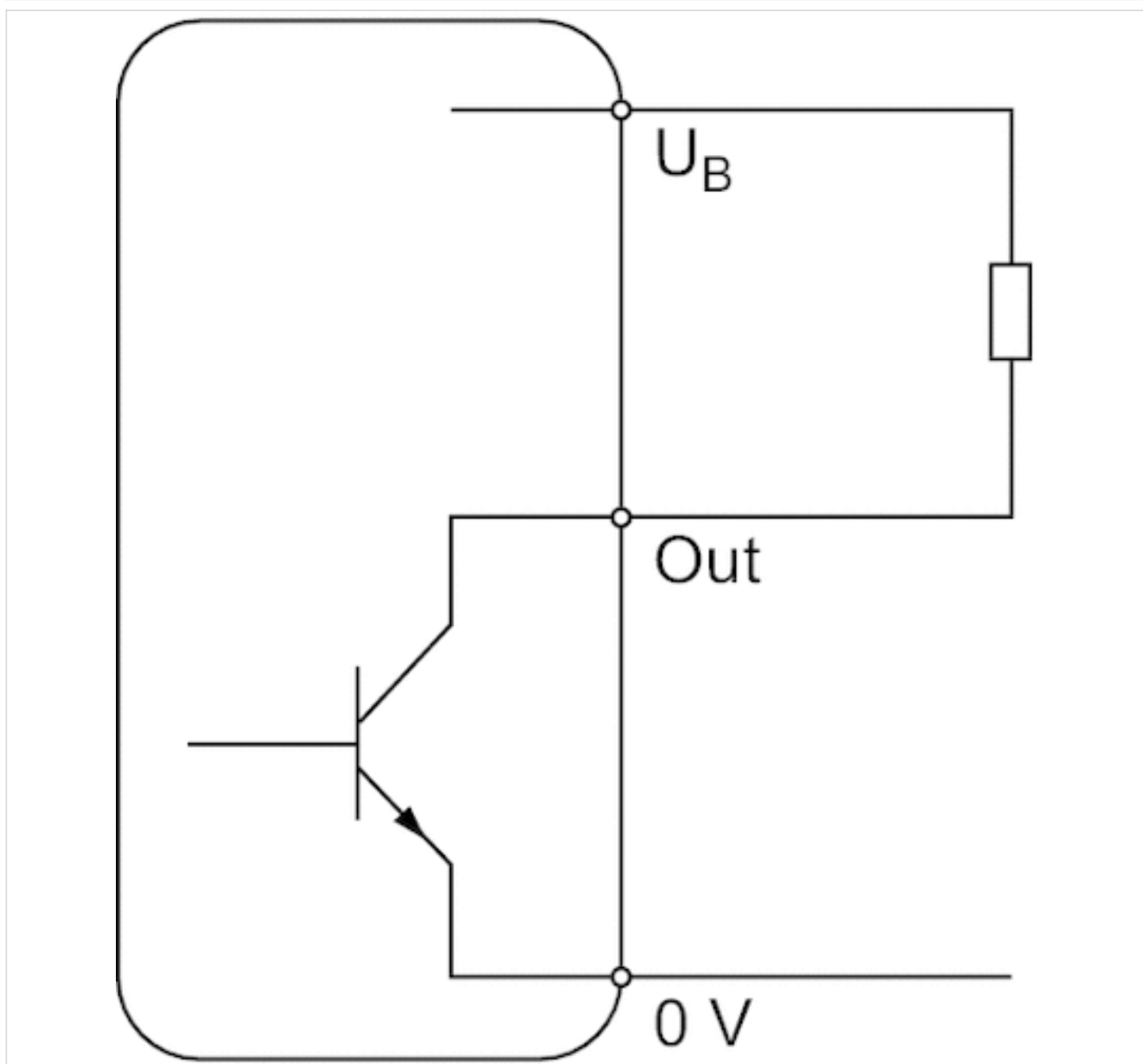
- 1) LCD display
- 2) Control panel with 3 buttons

Diagrams

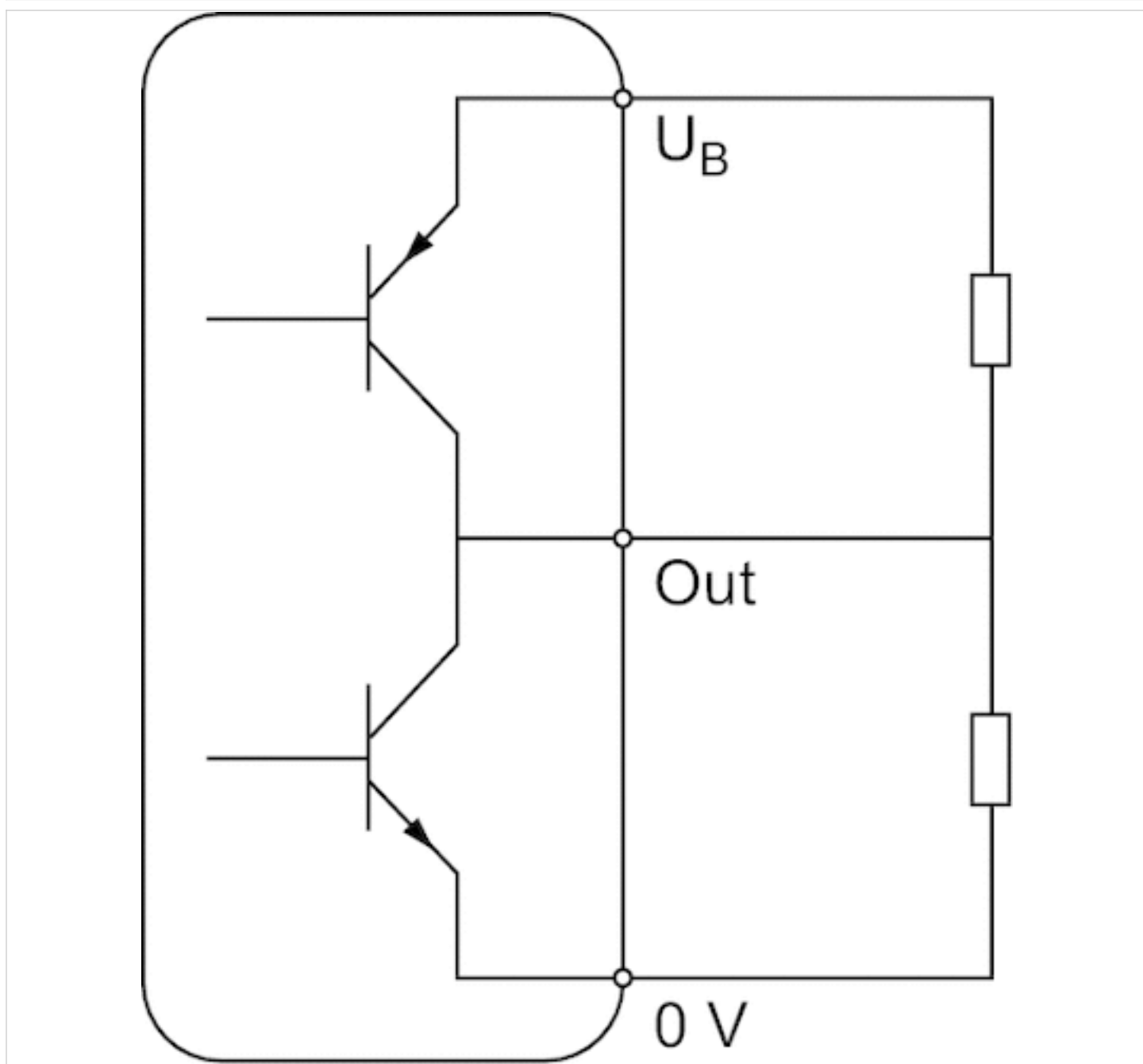
Operating mode, PNP



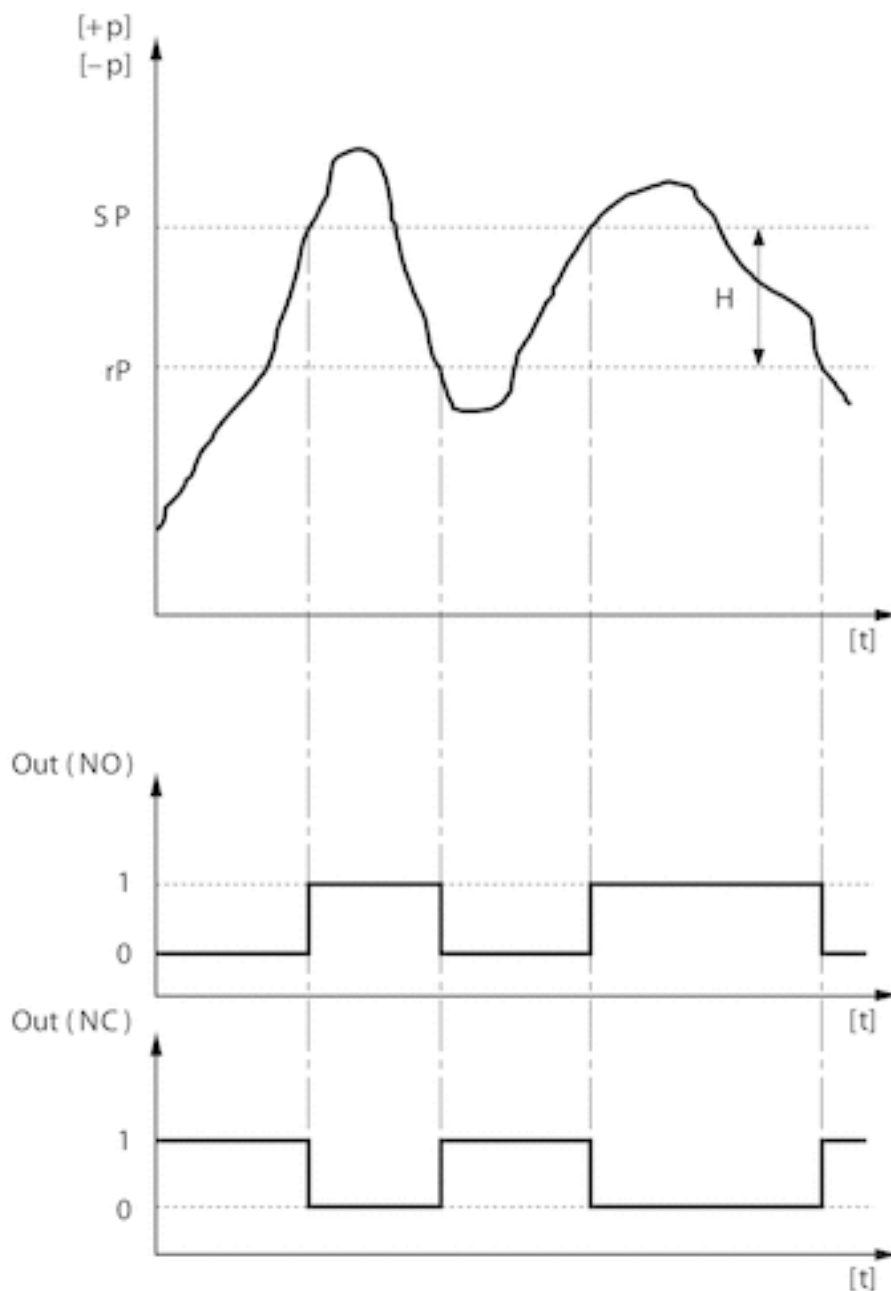
Operating mode, NPN



Operating mode, Push-pull



Hysteresis function: switching and resetting behavior dependent on pressure p and time t , in case of overpressure



H: Hysteresis

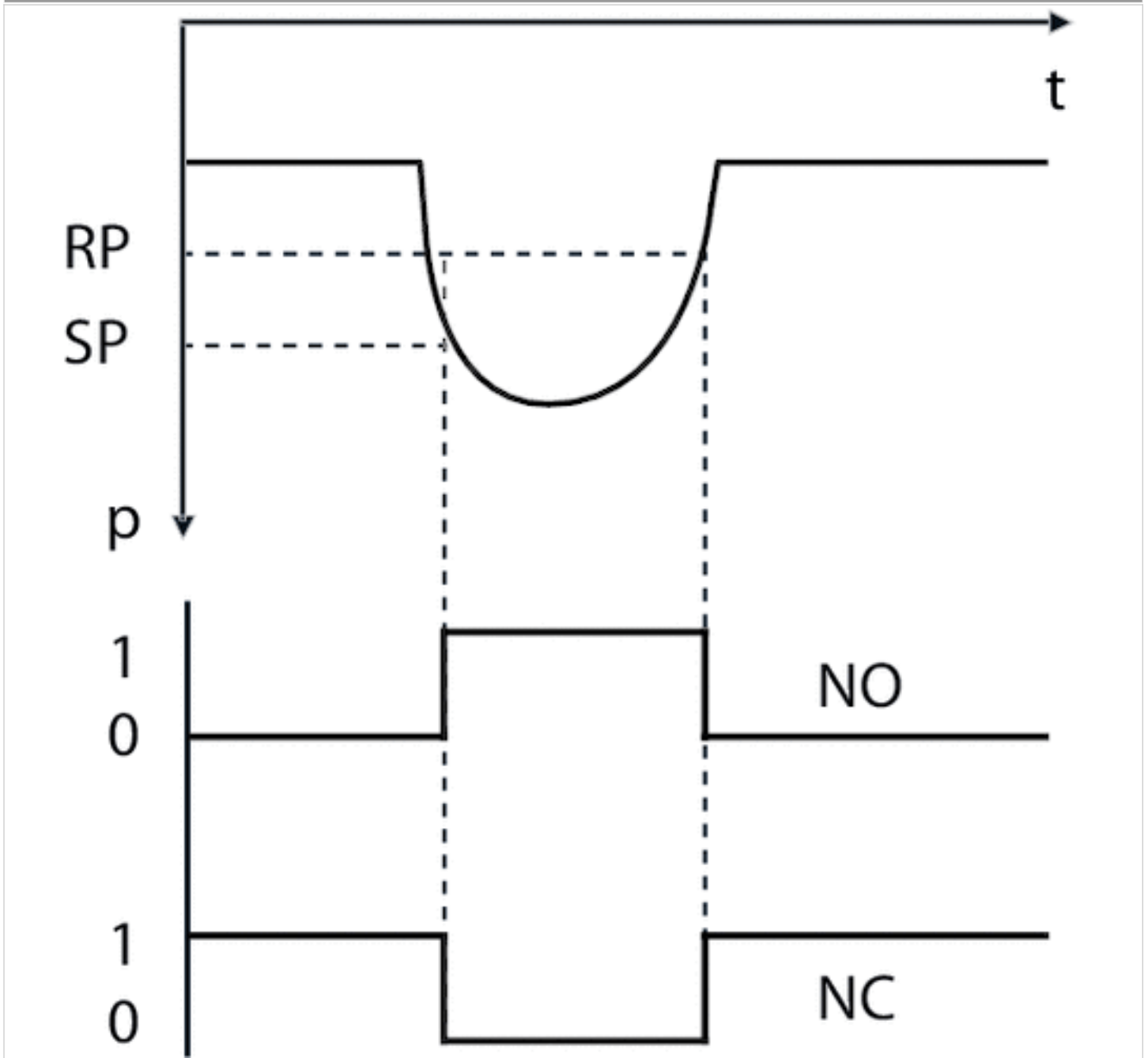
SP = switching point

rP = resetting point

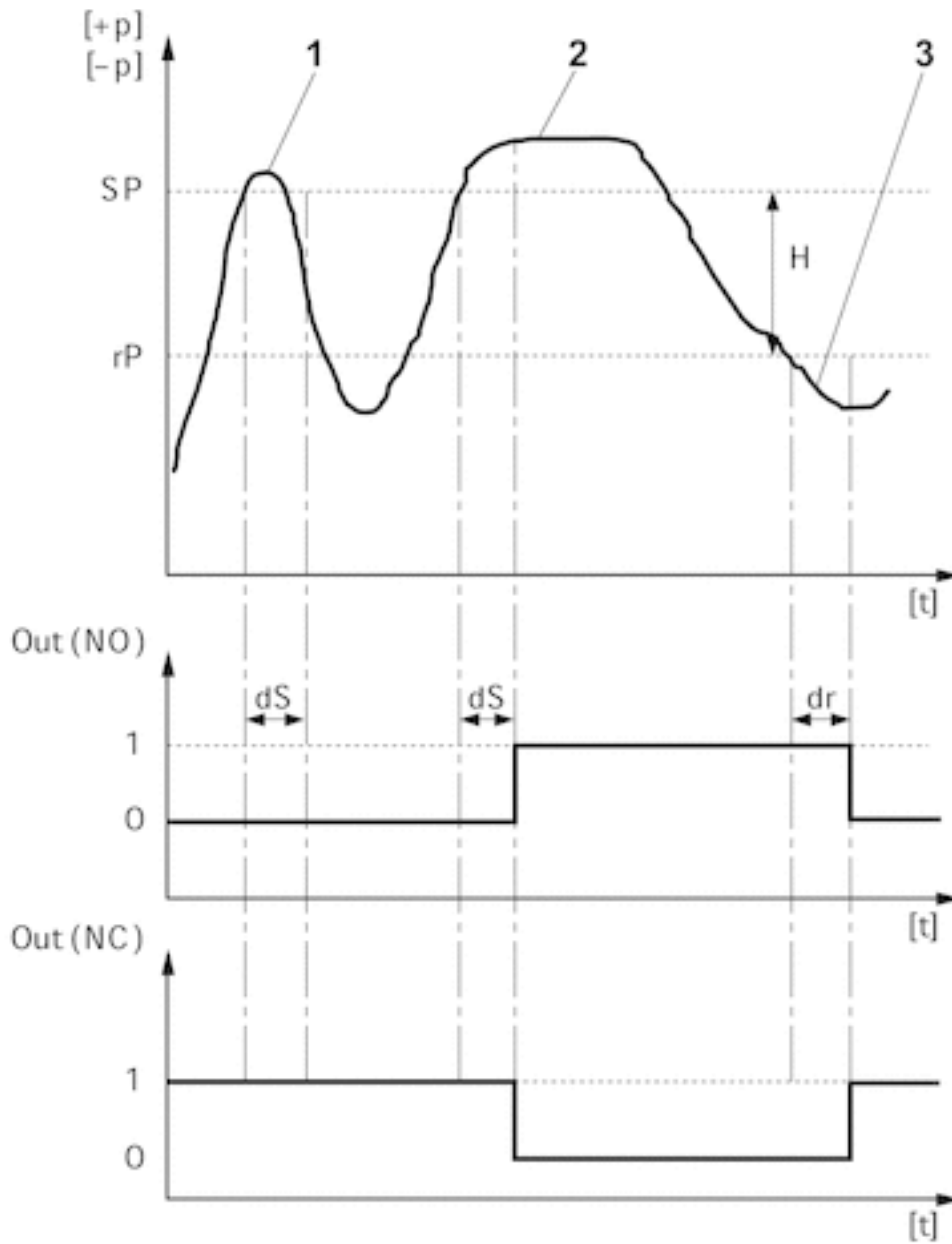
Out (NC): switch output, break contact

Out (NO): switch output, make contact

Hysteresis function: switching and resetting behavior dependent on pressure p and time t , in case of underpressure



Delayed hysteresis function: switching and resetting behavior depending on pressure p and time t



H: Hysteresis

SP = switching point

RP = resetting point

Out (NC): switch output, break contact

Out (NO): switch output, make contact

dS: switching delay

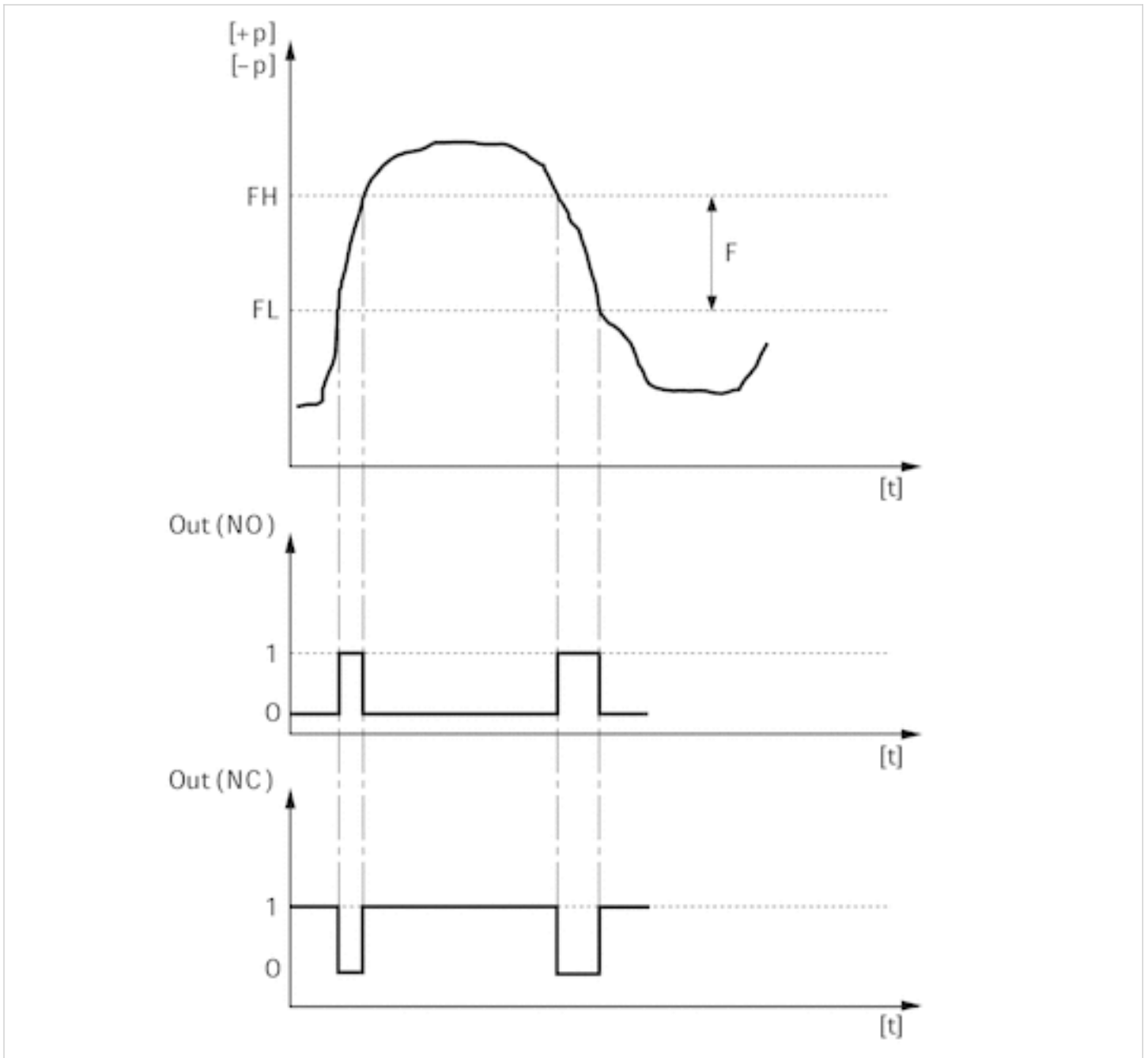
dR = reset delay

1) period of pressure over the switching point dS : pressure sensor does not switch

2) Period of pressure over the switching point $> dS$: pressure sensor switches

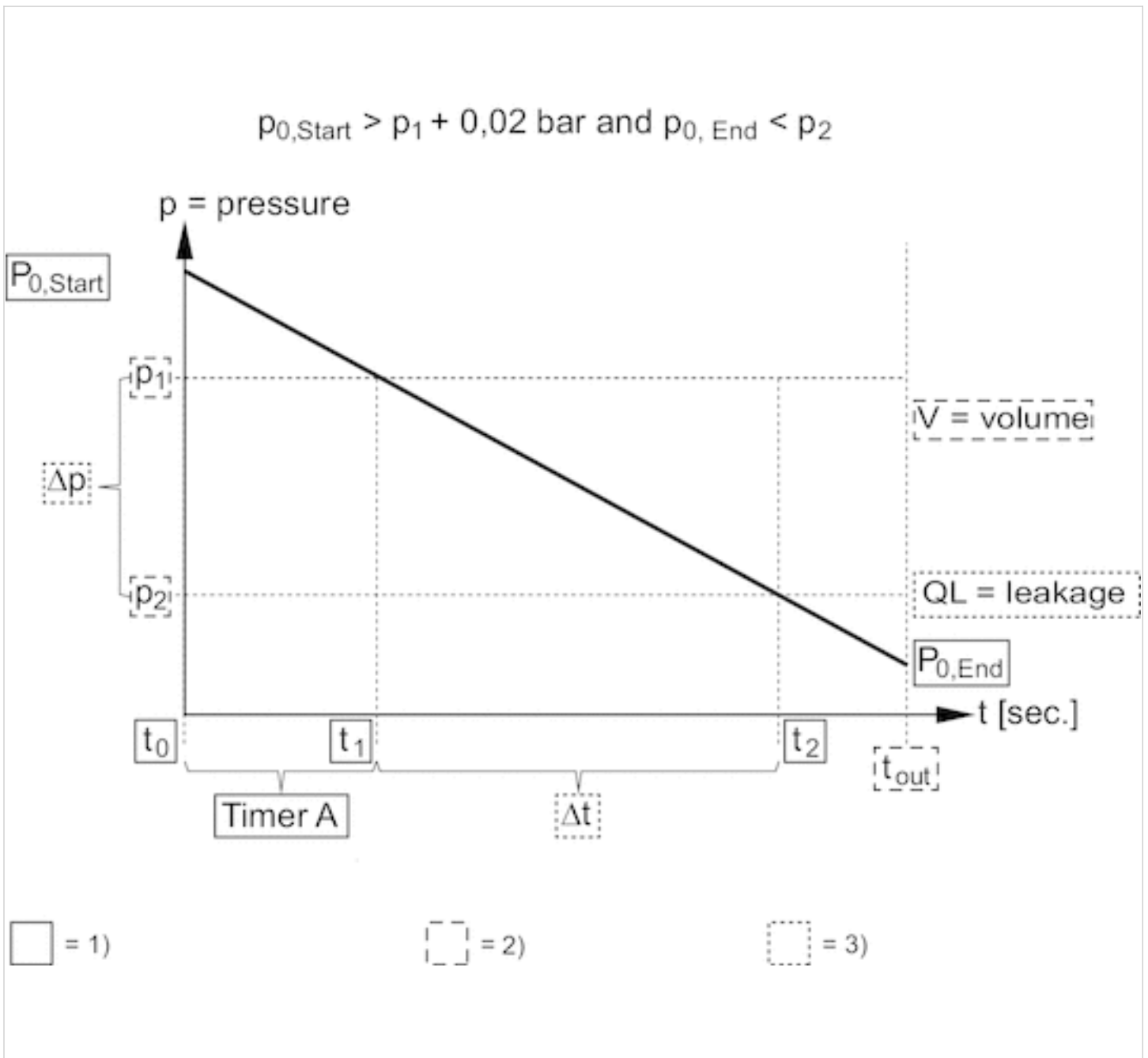
3) Period of pressure under the resetting point $> dR$: pressure sensor switches

Window function: switching and resetting behavior depending on pressure p and time t



FH: pressure band, upper value
 FL: pressure band, lower value
 Out (NC): switch output, break contact
 Out (NO): switch output, make contact

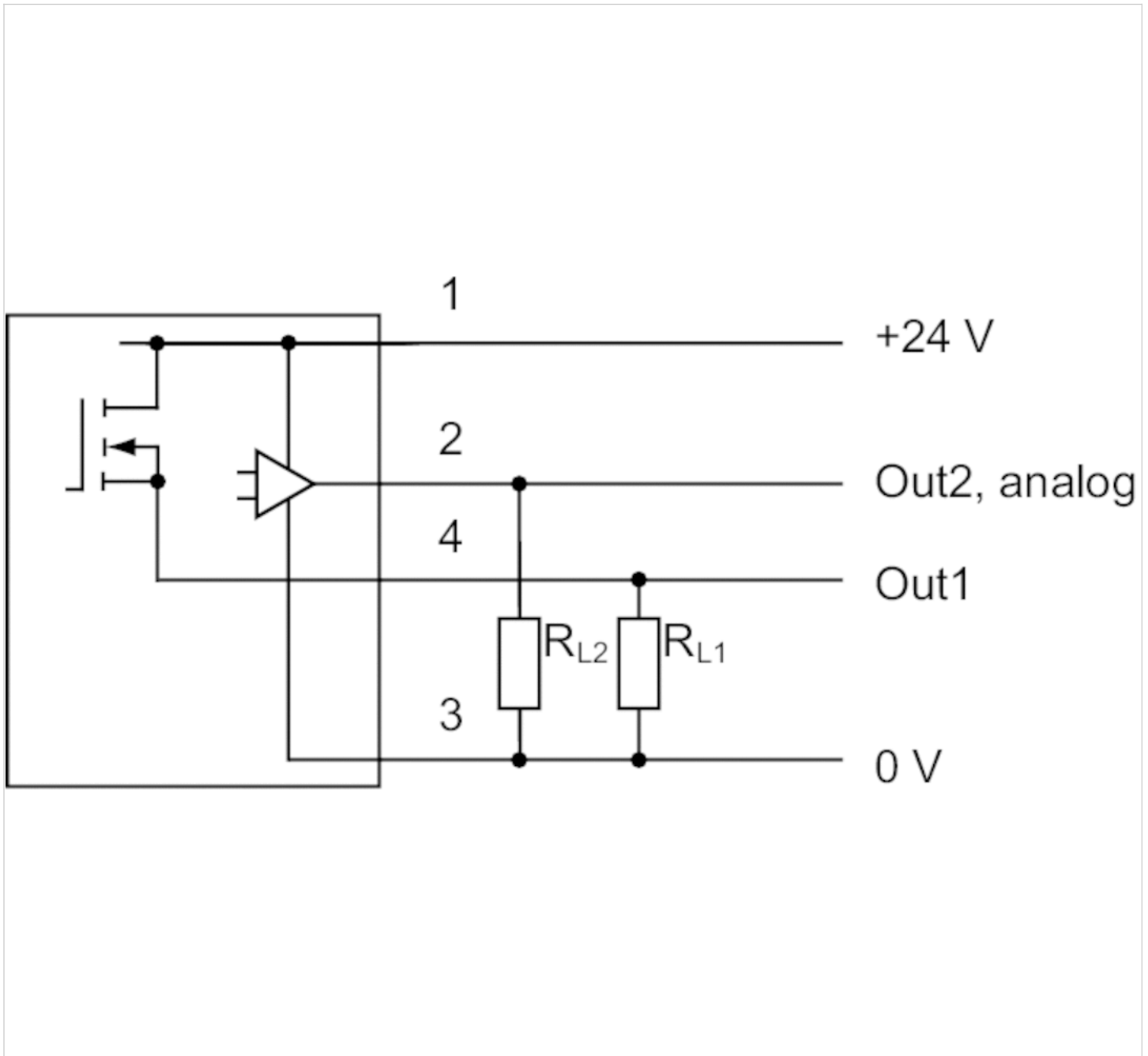
Leakage characteristic



- 1) Internally stored parameter
- 2) Adjustable parameter
- 3) Output value

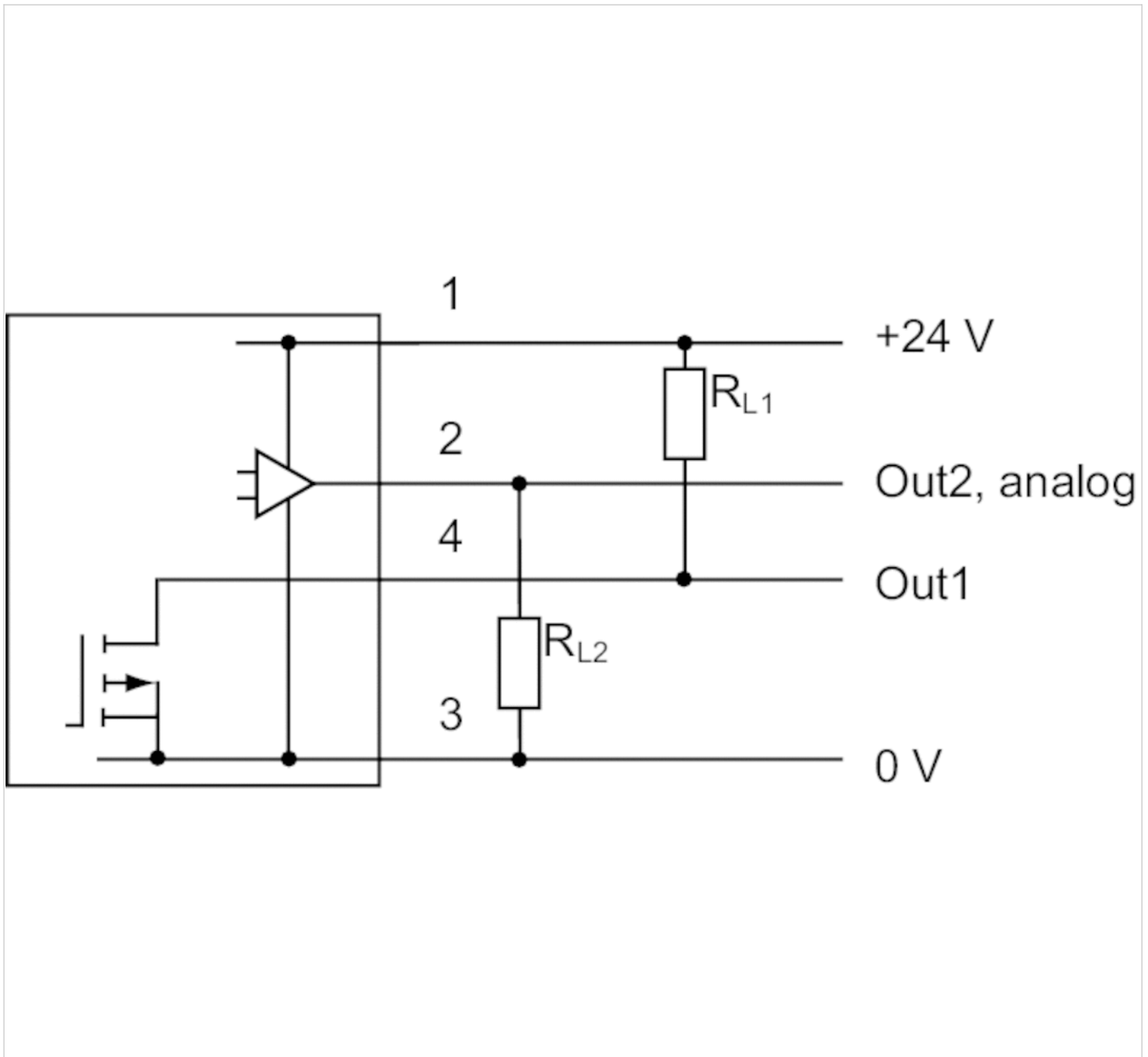
Circuit diagram

Block diagram, 1x PNP and 1x analog



RL = storable position

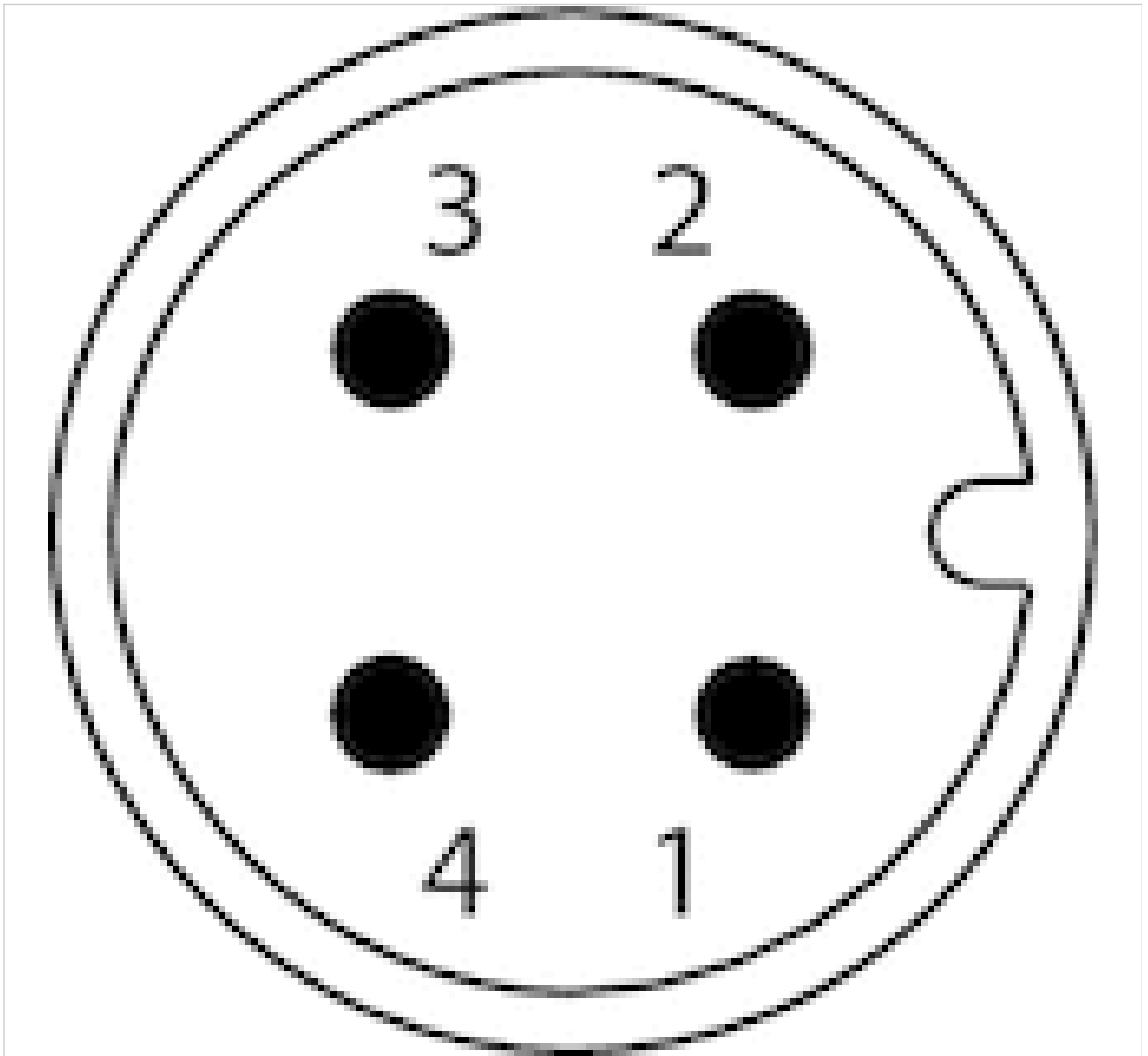
Block diagram, 1x NPN and 1x analog



RL = storable position

Pin assignments

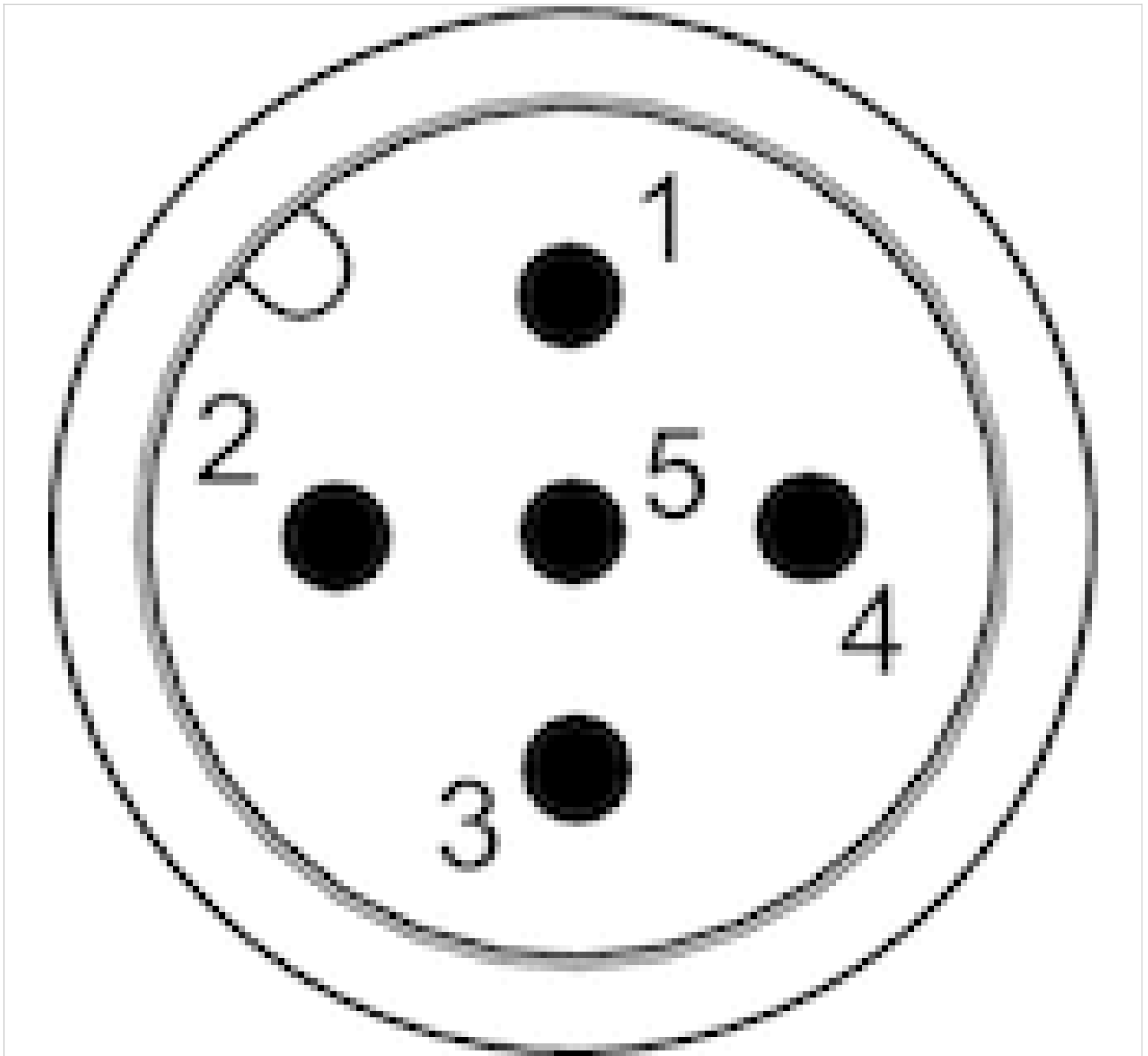
Pin assignments, M12x1, 4-pin



Pin	1
Allocation	operational voltage + UB
	2
	3
	switch output Out2, analog: A or V, digital: PNP, NPN, push-pull
	0 V
	4
	switch output Out1, digital: PNP, NPN, push-pull

Pin assignments

Pin assignments, M12x1, 5-pin



Pin	1	2	3
Allocation	Supply Voltage	Switch output PNP/NPN/push-pull, switchable	0 V
		4	
		Switch output PNP/NPN/push-pull/leakage mode, digital switch input PNP	
		5	
		Analog output (0 to 10 V DC, 4 to 20 mA)	

Efficient pneumatic solutions, our program: cylinders and drives, valves and valve systems, air supply management



Visit us: [Emerson.com/Aventics](https://www.emerson.com/Aventics)

Your local contact: [Emerson.com/contactus](https://www.emerson.com/contactus)



[Emerson.com](https://www.emerson.com)



[Facebook.com/EmersonAutomationSolutions](https://www.facebook.com/EmersonAutomationSolutions)



[LinkedIn.com/company/Emerson-Automation-Solutions](https://www.linkedin.com/company/Emerson-Automation-Solutions)



[Twitter.com/EMR_Automation](https://twitter.com/EMR_Automation)

An example configuration is depicted on the title page. The delivered product may thus vary from that in the illustration. Subject to change. This Document, as well as the data, specifications and other information set forth in it, are the exclusive property of AVENTICS GmbH. It may not be reproduced or given to third parties without its consent. Only use the AVENTICS products shown in industrial applications. Read the product documentation completely and carefully before using the product. Observe the applicable regulations and laws of the respective country. When integrating the product into applications, note the system manufacturer's specifications for safe use of the product. The data specified only serve to describe the product. No statements concerning a certain condition or suitability for a certain application can be derived from our information. The information given does not release the user from the obligation of own judgement and verification. It must be remembered that the products are subject to a natural process of wear and aging.

The Emerson logo is a trademark and service mark of Emerson Electric Co. Brand logotype are registered trademarks of one of the Emerson family of companies. All other marks are the property of their respective owners. © 2020 Emerson Electric Co. All rights reserved.
2020-12



CONSIDER IT SOLVED™