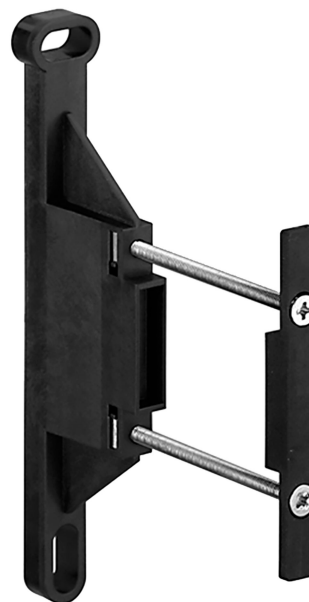


Mounting clip, Series AS3-MBR-...-W03

R412007370

Series AS3

■ $Q_n = [[14500] \text{ l/min}]$



Technical data

Industry
Industrial

Min. ambient temperature
-10 °C

Max. ambient temperature
50 °C

Weight
0.055 kg

Housing material
Polyamide

Seal material
Acrylonitrile butadiene rubber

R412007370

