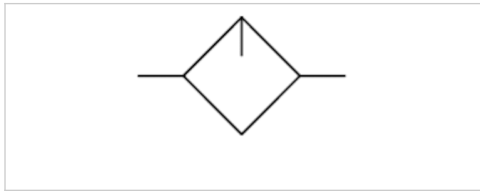


# Standard oil-mist lubricator, Series AS2-LBS

- G 1/4 G 3/8

- Nominal flow Qn 2800 3100 l/min

- suitable for ATEX



Type	Oil-mist lubricator, Can be assembled into blocks
Parts	Standard oil-mist lubricator
Mounting orientation	vertical
Certificates	suitable for ATEX
Working pressure min./max.	0,5 ... 16 bar
Ambient temperature min./max.	-10 ... 50 °C
Medium temperature min./max.	-10 ... 50 °C
Medium	Compressed air Neutral gases
Lubricator reservoir volume	40 cm <sup>3</sup>
Type of filling	Semi-automatic oil filling during operation Manual oil filling
Weight	0,229 kg

## Technical data

Part No.	Port	Nominal flow Qn	Material Reservoir	Protective guard
R412006225	G 1/4	2800 l/min	Polycarbonate	Polyamide
R412006226	G 1/4	2800 l/min	Polycarbonate	Polyamide
R412006229	G 1/4	2800 l/min	Die cast zinc with window	-
R412006231	G 3/8	3100 l/min	Polycarbonate	Polyamide
R412006232	G 3/8	3100 l/min	Polycarbonate	Polyamide
R412006235	G 3/8	3100 l/min	Die cast zinc with window	-

Part No.	Reservoir	Fig.	
R412006225	reservoir, PA, with PA protective guard	Fig. 1	1)
R412006226	reservoir, PA, with PA protective guard	Fig. 2	2)
R412006229	reservoir, metal, standard, with inspection glass	Fig. 3	1)
R412006231	reservoir, PA, with PA protective guard	Fig. 4	1)
R412006232	reservoir, PA, with PA protective guard	Fig. 5	2)
R412006235	reservoir, metal, standard, with inspection glass	Fig. 6	1)

Nominal flow Qn with secondary pressure p2 = 6 bar at Δp = 1 bar

1) Suitable for use in Ex zones 1, 2, 21, 22.

2) Electrical level detection, Suitable for use in Ex zones 1, 2, 21, 22.

## Technical information

The pressure dew point must be at least 15 °C under ambient and medium temperature and may not exceed 3 °C .  
 Electrical level detection only with ST6 sensor with reed contact, sensor holder included in the scope of the delivery.  
 Sensor not included in scope of delivery, sensor installation prepared.

The entire preset drip quantity enters the pressure system.

Manual oil filling possible during operation at a maximum operating pressure of 10 bar.

Suitable for use in Ex zones 1, 2, 21, 22.

Note: Polycarbonate reservoirs are susceptible to solvents, supplementary information can be found at "Customer information".

A change in the flow direction (from air supply on the left to air supply on the right) occurs by rotating installation by 180° about the vertical axis. Please see the operating instructions for further details.

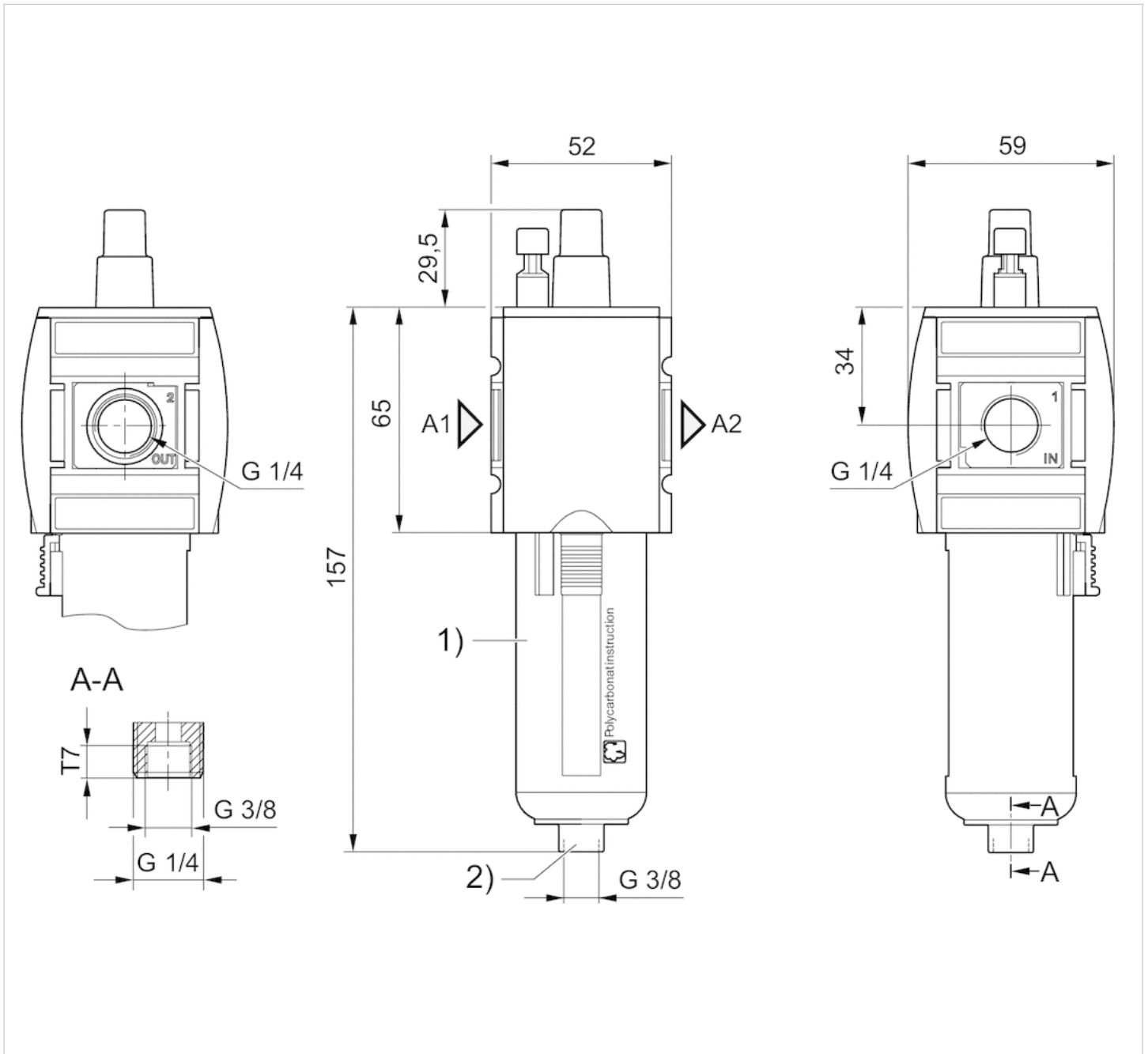
Oil dosing at 1000 l/min 1-2 drops

## Technical information

Material	
Housing	Polyamide
Front plate	Acrylonitrile butadiene styrene
Seals	Acrylonitrile butadiene rubber
Threaded bushing	Die cast zinc
Reservoir	Polycarbonate Die cast zinc
Protective guard	Polyamide

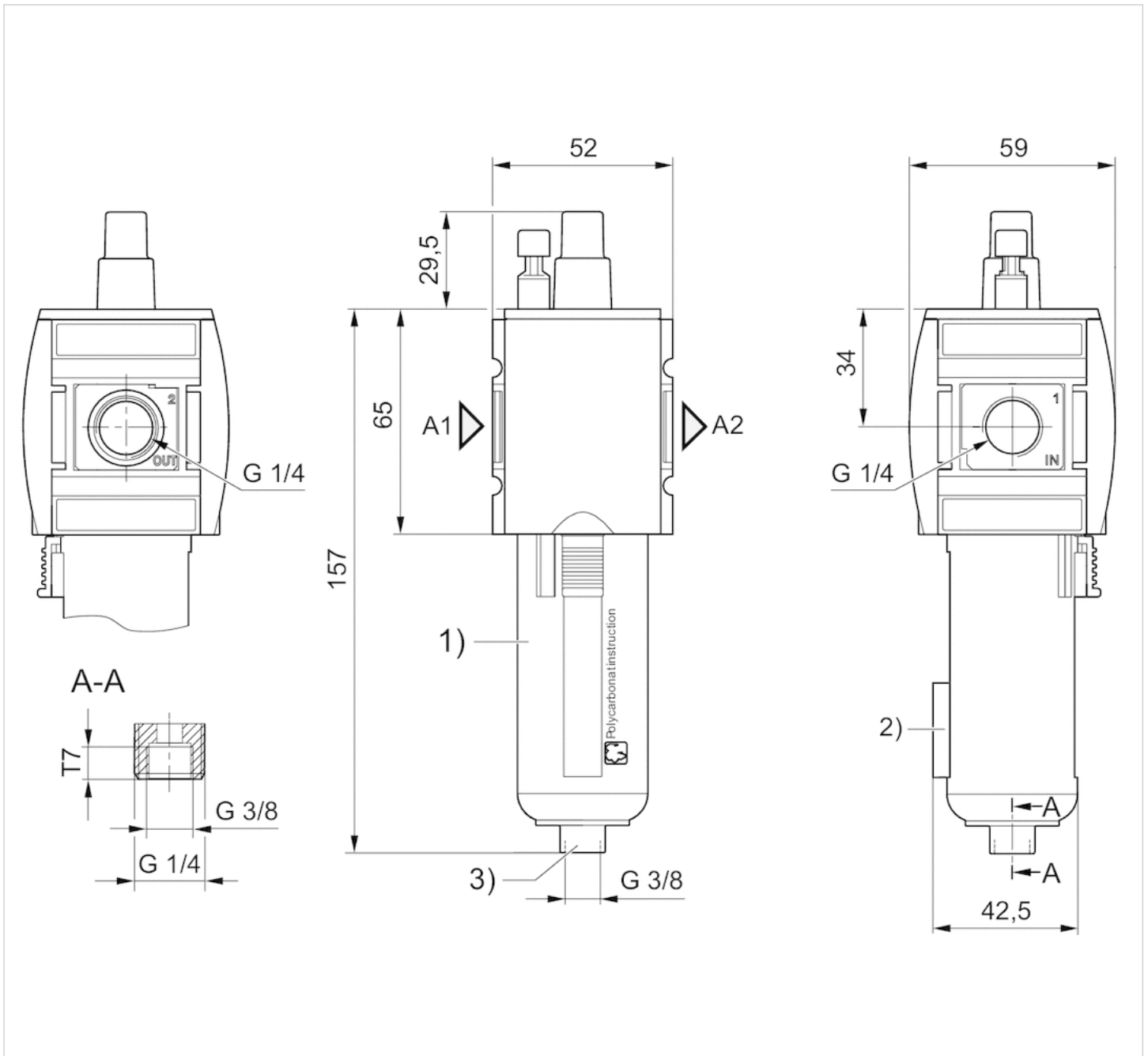
## Dimensions

Dimensions in mm, Fig. 1



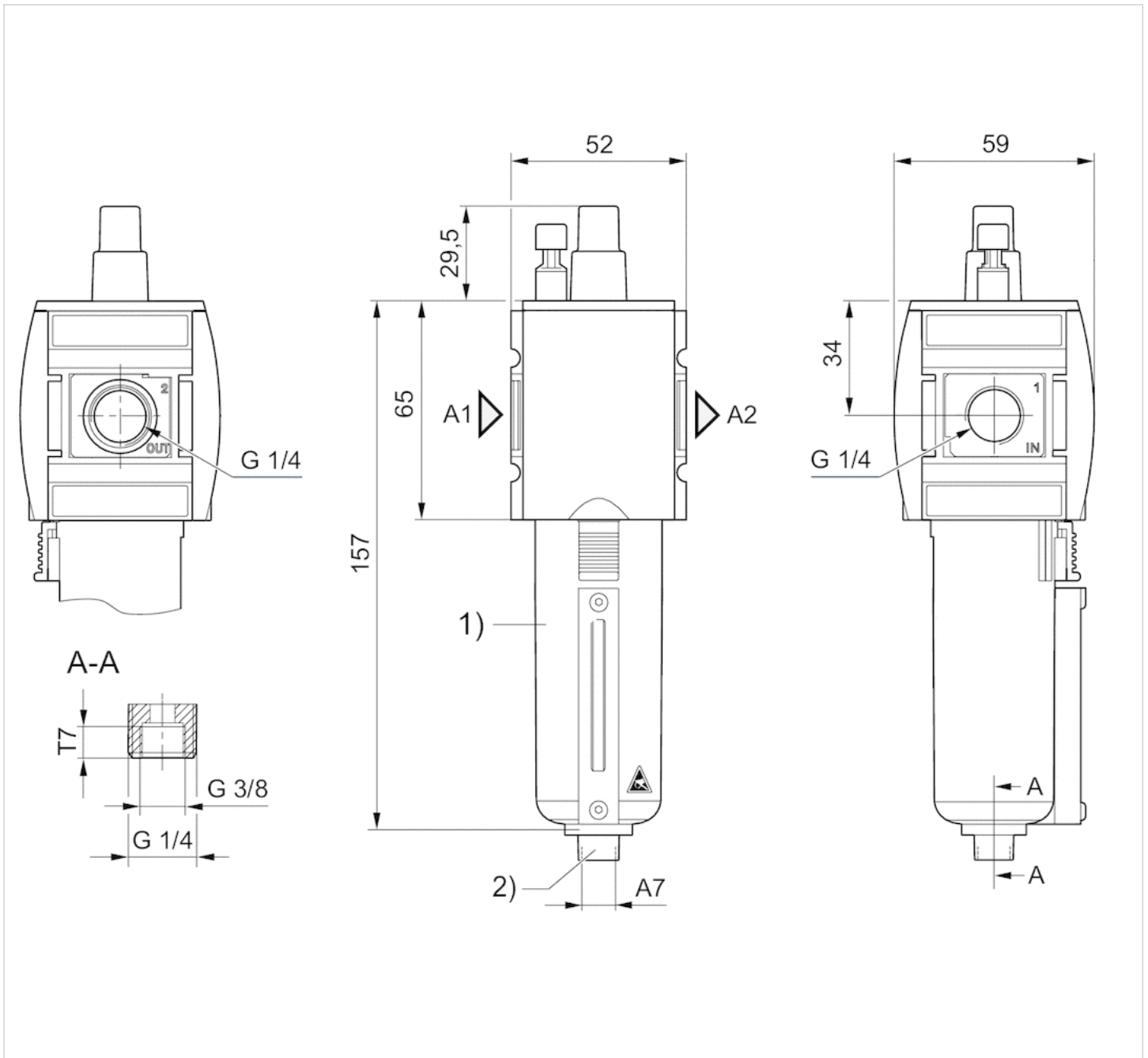
- A1 = input
- A2 = output
- 1) Plastic reservoir and protective guard with window
- 2) Port for semi-automatic oil filling

Dimensions in mm, Fig. 2



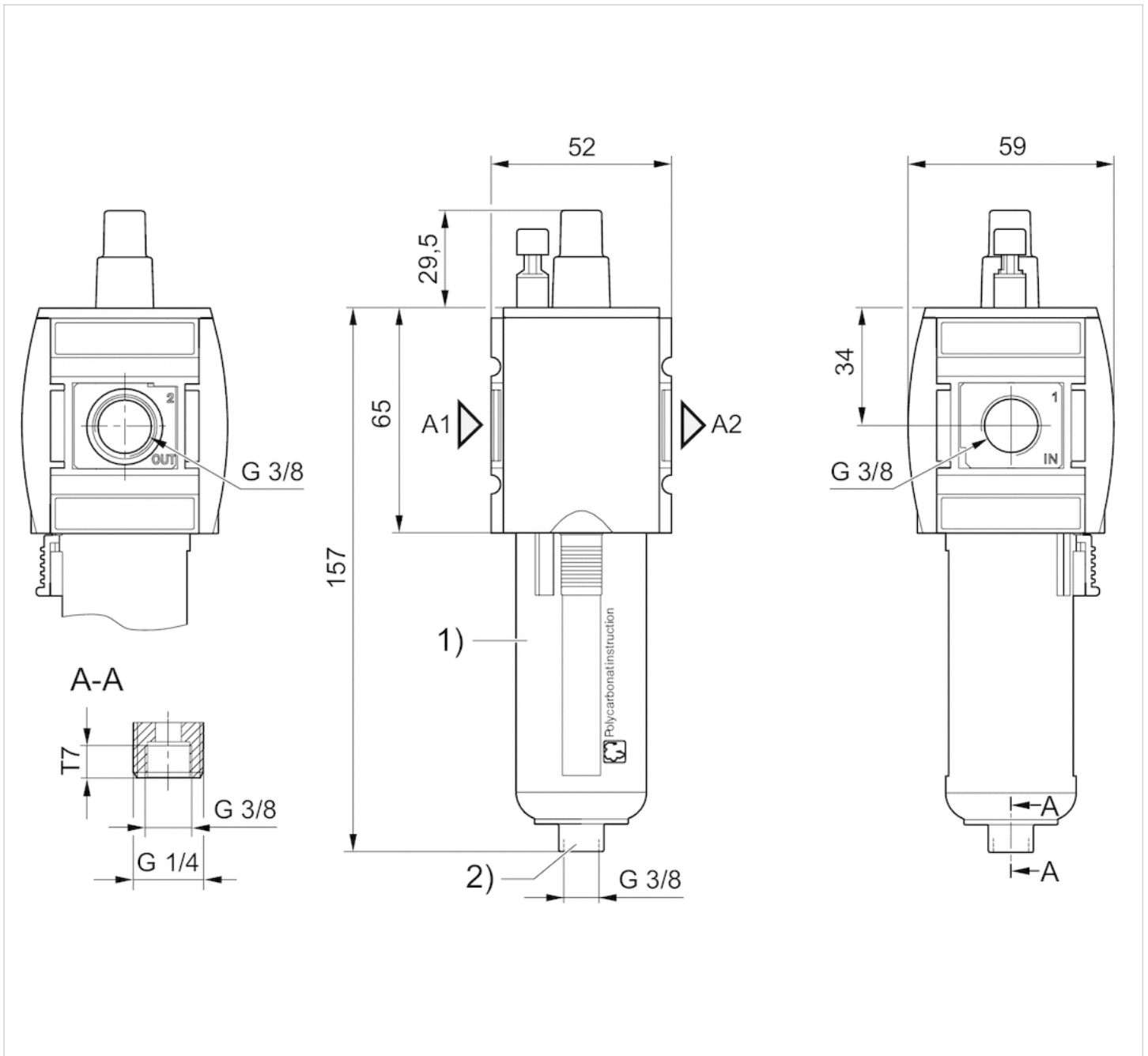
- A1 = input
- A2 = output
- 1) Plastic reservoir and protective guard with window
- 2) Holder for sensor
- 3) Port for semi-automatic oil filling

Dimensions in mm, Fig. 3



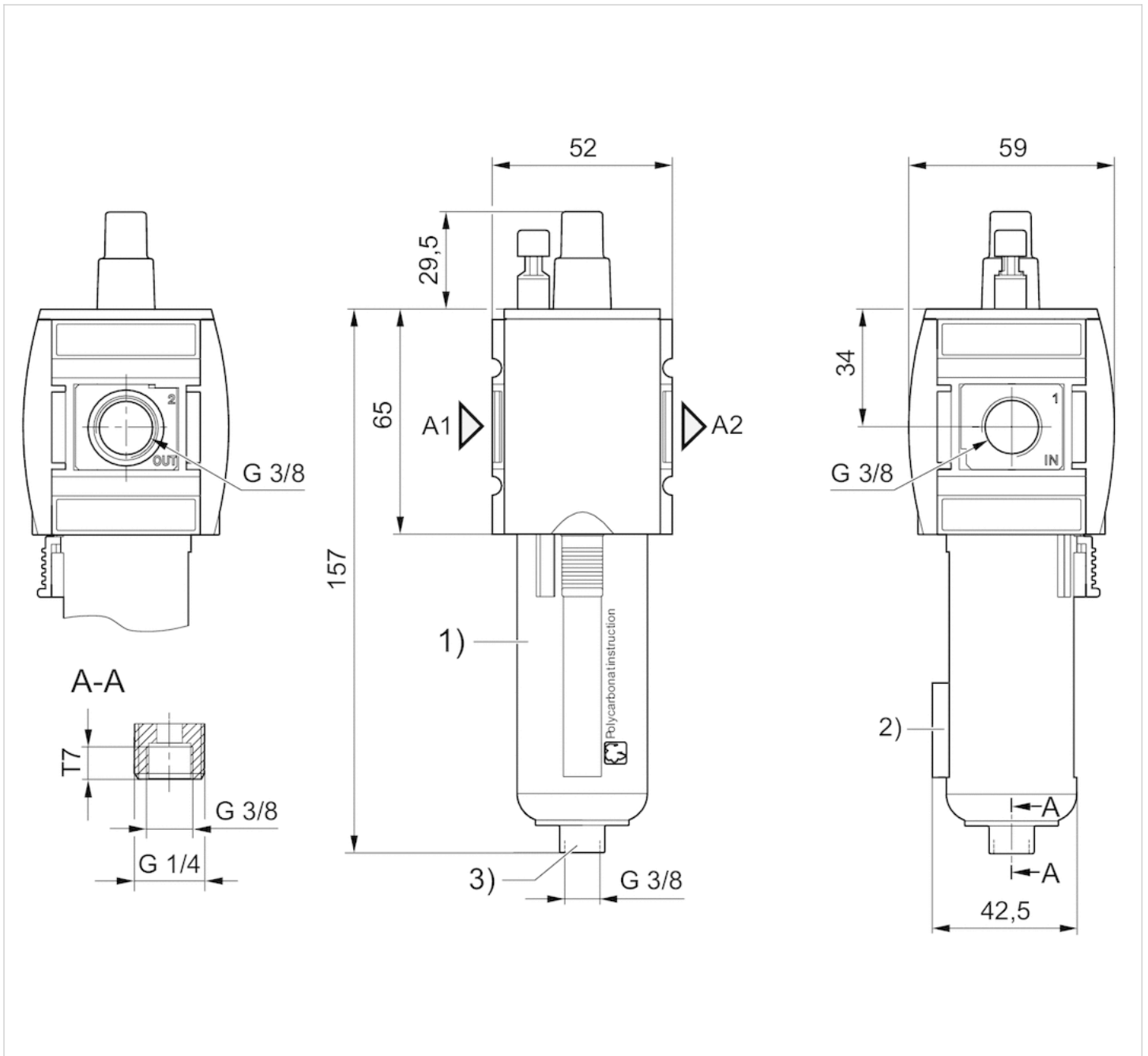
- A1 = input
- A2 = output
- 1) Metal reservoir with inspection glass
- 2) Port for semi-automatic oil filling

Dimensions in mm, Fig. 4



- A1 = input
- A2 = output
- 1) Plastic reservoir and protective guard with window
- 2) Port for semi-automatic oil filling

Dimensions in mm, Fig. 5



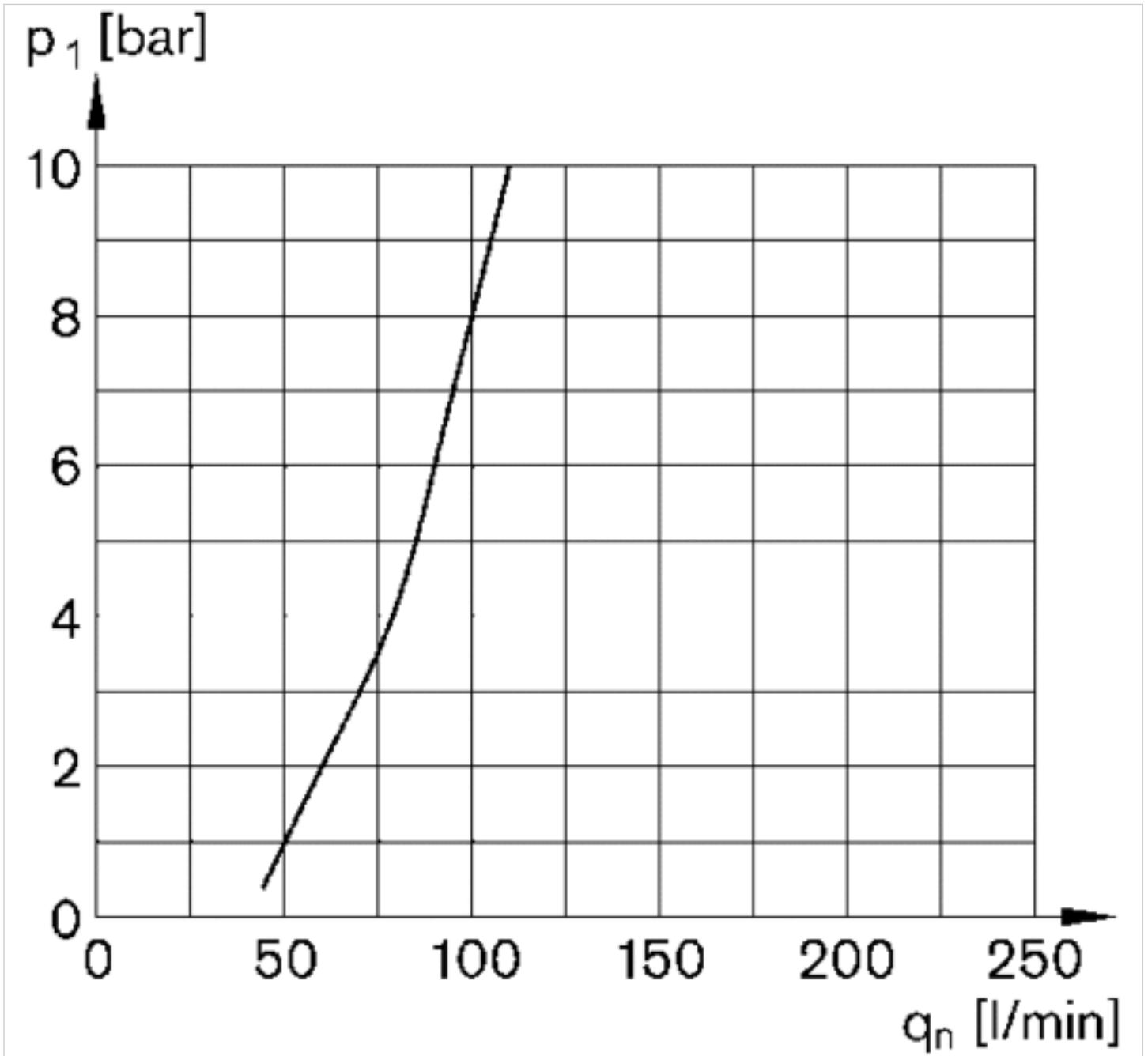
- A1 = input
- A2 = output
- 1) Plastic reservoir and protective guard with window
- 2) Holder for sensor
- 3) Port for semi-automatic oil filling





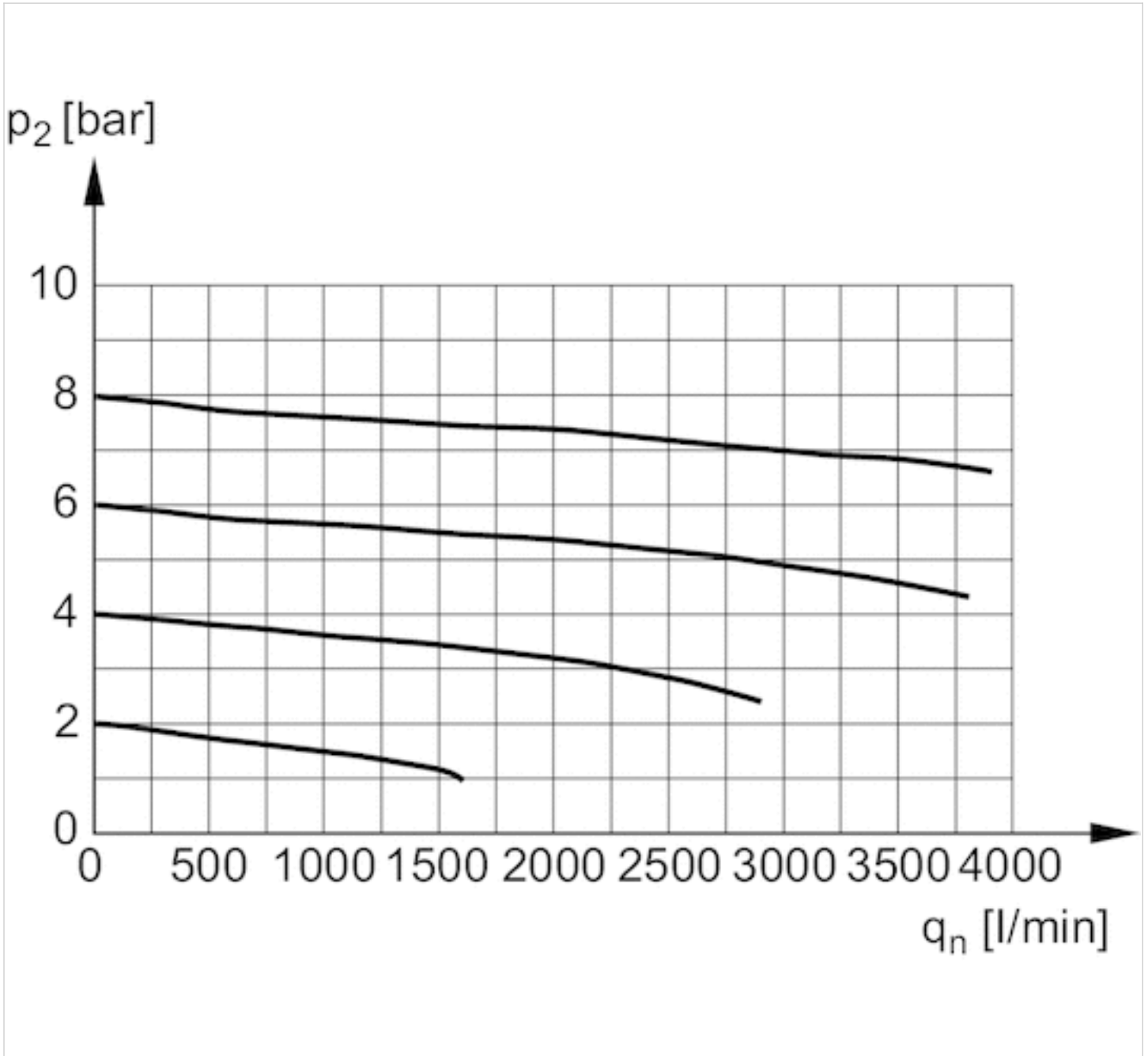
Diagrams

Lubricator activation margin



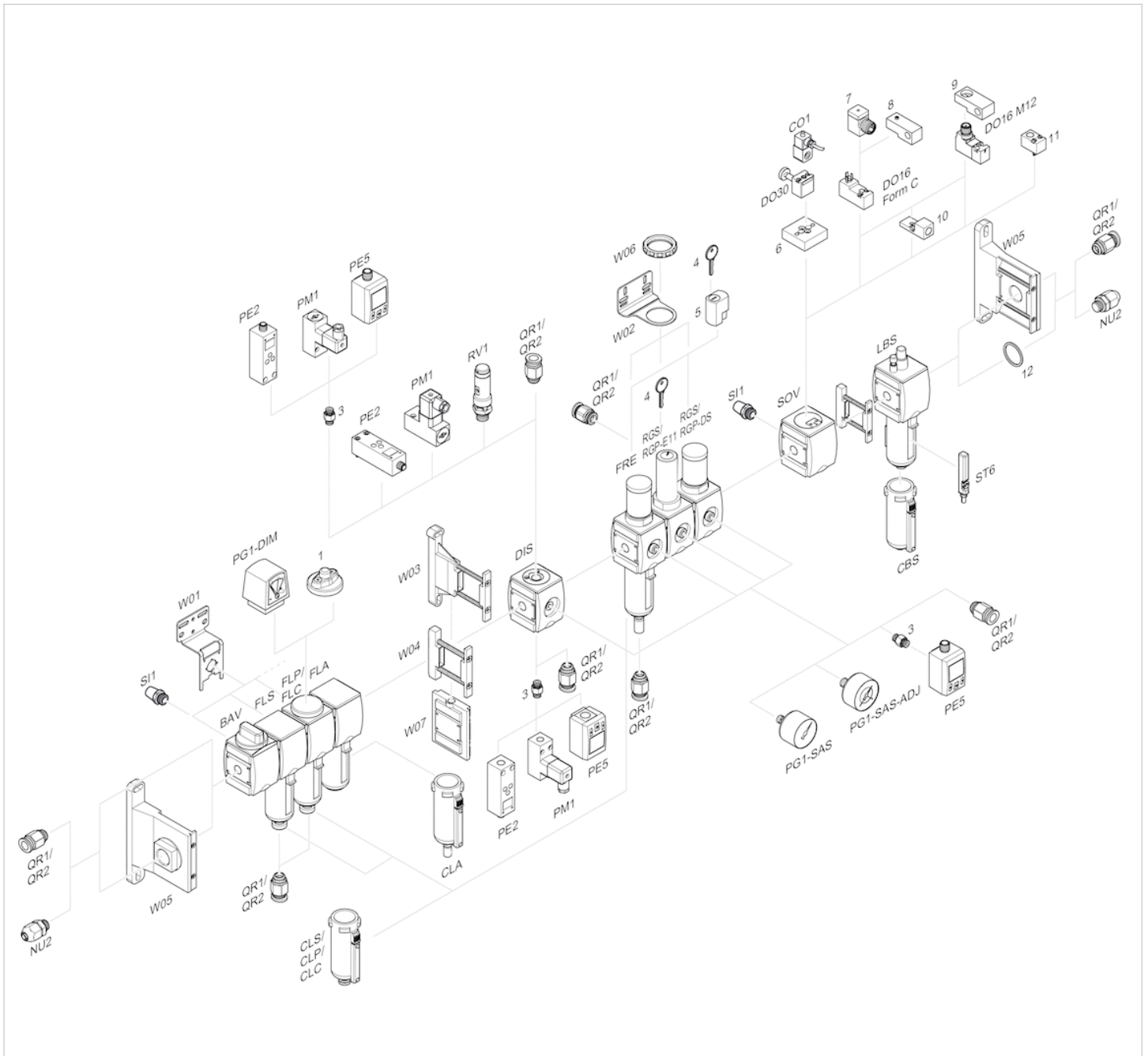
$p_1$  = working pressure  
 $q_n$  = nominal flow

Flow rate characteristic



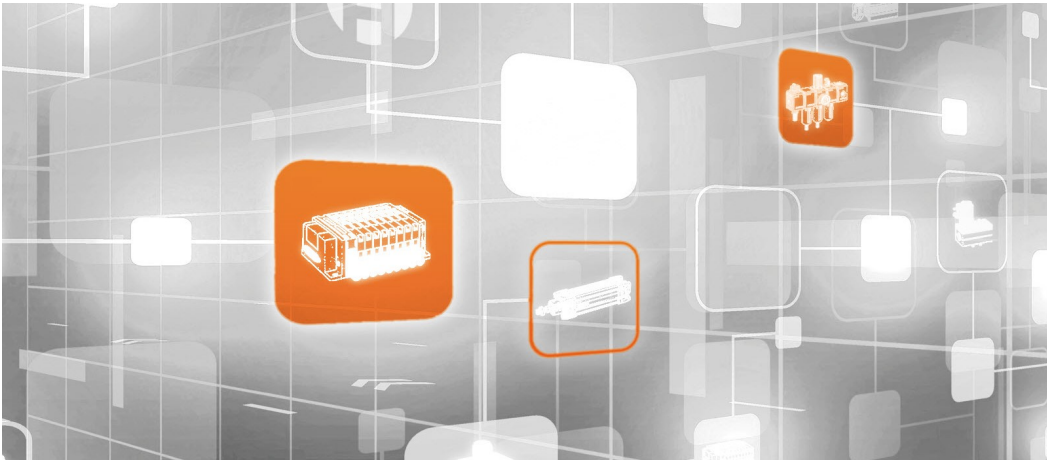
$p_2$  = secondary pressure  
 $q_n$  = nominal flow

# Accessories overview



- 1 = contamination display
- 3 = Double nipple
- 4 = Key for E11 locking
- 5 = mortise lock
- 6 = Transition plate DO30
- 7 = Adapter, Series CON-VP
- 8 = Mounting aid DO16, form C
- 9 = Mounting aid DO16, M12
- 10 = Adapter for external pilot air
- 11 = Adapter pneumatic operation
- 12 = Sealing ring

# Efficient pneumatic solutions, our program: cylinders and drives, valves and valve systems, air supply management



Visit us: [Emerson.com/Aventics](https://www.emerson.com/Aventics)

Your local contact: [Emerson.com/contactus](https://www.emerson.com/contactus)



Emerson.com



[Facebook.com/EmersonAutomationSolutions](https://www.facebook.com/EmersonAutomationSolutions)



[LinkedIn.com/company/Emerson-Automation-Solutions](https://www.linkedin.com/company/Emerson-Automation-Solutions)



[Twitter.com/EMR\\_Automation](https://twitter.com/EMR_Automation)

An example configuration is depicted on the title page. The delivered product may thus vary from that in the illustration. Subject to change. This Document, as well as the data, specifications and other information set forth in it, are the exclusive property of AVENTICS GmbH. It may not be reproduced or given to third parties without its consent. Only use the AVENTICS products shown in industrial applications. Read the product documentation completely and carefully before using the product. Observe the applicable regulations and laws of the respective country. When integrating the product into applications, note the system manufacturer's specifications for safe use of the product. The data specified only serve to describe the product. No statements concerning a certain condition or suitability for a certain application can be derived from our information. The information given does not release the user from the obligation of own judgement and verification. It must be remembered that the products are subject to a natural process of wear and aging.

The Emerson logo is a trademark and service mark of Emerson Electric Co. Brand logotype are registered trademarks of one of the Emerson family of companies. All other marks are the property of their respective owners. © 2020 Emerson Electric Co. All rights reserved.  
2020-12



**CONSIDER IT SOLVED™**